

Cv = .73

Series 3

1/8" Ported Mechanically Operated Sensor Valves (Whisker Valve)

Cv = .73

3-way/2-position and 5-way/2-position
Ports 1/8" NPTF

In order to facilitate the use of limit switch valves in applications where very low actuating forces and high flow rates are required, the Series 3 valves are equipped with new mechanical devices designed for this purpose. The Series 3 valve is designed with a mechanical lever which when operated releases an internal pilot signal to atmosphere. Actuation forces are less than 50g (2N); (.5 lbf) and the sensitivity can be increased by adding a "whisker" or rod of dia. 3mm to the lever (cross-thread of M5 x .8 can be used to hold "whisker-rod" in place)

The functions available are as follows:

for the 3 Series:

- 3-way/2-position normally closed or normally open (spring return)
- 5-way/2-position (spring return)

* These valves have an internal mechanical spring return and a pilot-pressure spool plunger that shifts upon actuation of the lever by depressurizing the spool plunger. Valve symbols shown are "at rest" next to the actuator symbol.



TECHNICAL SPECIFICATIONS

Valve group	3-way/2-position, 5-way/2-position
Construction	Spool-type (servocontrolled)
Mounting	Mounting holes in valve body
Materials	Anodized body, stainless steel spool, Buna-N seals
Threaded part sizes	1/8" NPTF
Installation	In any position
Operating temperature	32° F - 175° F, (dry air necessary down to -4° F)
Fluid	Filtered air (25 micron or less recommended)
Lubricant	Not required; otherwise, oil compatible with Buna-N, (3° - 10° E) (ISOVG 32 grade; 32 centistokes)

PNEUMATIC DATA

Operating pressure	4-10 bar (58-145 psi)
Nominal pressure	6 bar, (87 psi)
Nominal flow	*Qn Series 3: 1/8" = 700 NI/min. (24.7 SCFM) Cv rating 1/8" = .73
Nominal diameter	1/8" = 5 mm
Fluid	Filtered air

* Qn = determined with supply pressure of 6 bar and with Dp = 1 bar

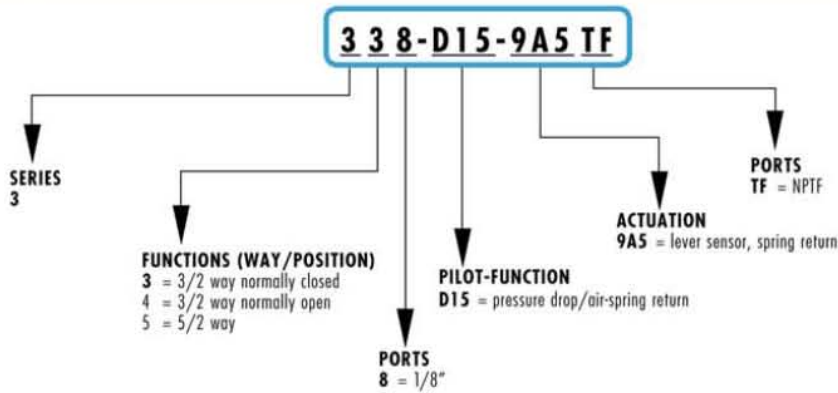
**Dimensions are in millimeters

Cv = .73

2

MECHANICAL VALVES

CODING OF MINIVALVES



* These valves have an internal mechanical spring return and a pilot-pressure spool plunger that shifts upon actuation of the lever by depressurizing the spool plunger. Valve symbols shown are "at rest" next to the actuator symbol.

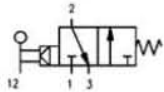
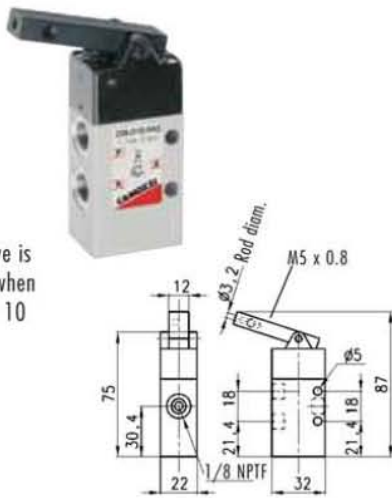
Valves Mod. 338-D15-9A5TF

Cv = .73

Operating pressure
4 - 10 bar, 58-145 psi

Actuation force =
.5lbf at 6 bar (2N)

* The function of the valve is indicated by the symbol when operating between 4 and 10 bar.



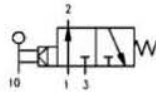
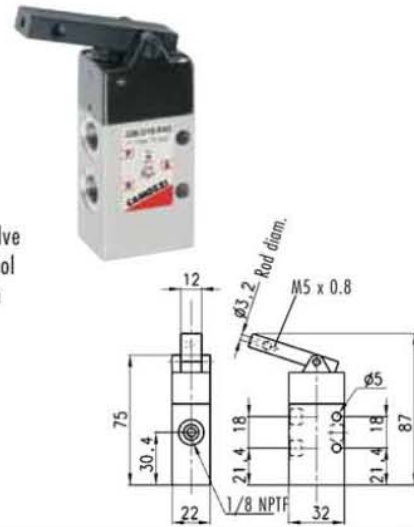
Valves Mod. 348-D15-9A5TF

Cv = .73

Operating pressure
4 - 10 bar, 58-145 psi

Actuation force =
.5lbf at 6 bar (2N)

* The function of the valve is indicated by the symbol when operating between 4 and 10 bar.



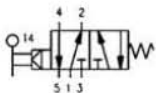
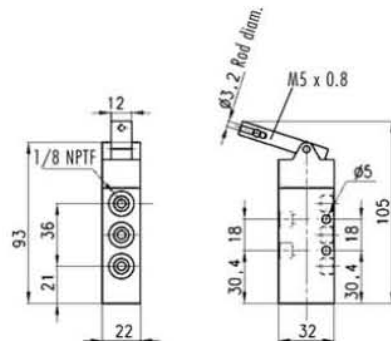
Valves Mod. 358-D15-9A5TF

Cv = .73

Operating pressure
4 - 10 bar, 58-145 psi

Actuation force =
.5lbf at 6 bar (2N)

* The function of the valve is indicated by the symbol when operating between 4 and 10 bar.



* All "whisker-rod" holes in lever have M5 x 0.8 cross-drilled tap hole for securing rod.