

# Series 9 - ISO 5599/1 Regulator Plate ISO Size 3 (P-regulation) Size 3

For ISO Size 3 valves only.

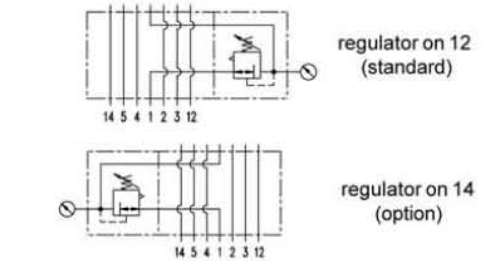
Part Number	ISO.3 P		
port size	DIN ISO 5599/1		
description	air line regulator with diaphragm and relieving feature		
mounting	arbitrary		
supply pressure	Pe max. 16 bar (not to exceed max. pressure of valve)		
reduced pressure	Pa 0.5-12 bar		
media and ambient			
temperature	max. 50°C (other temperature ranges available upon request)		
fixing	with connection board		
weight	2.210 kg (without gauge)		



Gauges supplied separately, shown only for installation

**replacement parts** \*( repair kit: ESA-ISO.3 )

no	description	material	order-no.
1	intermediate plate	Al	---
2	sealing frame ISO.3-5	NBR	5.1833.05.000
3	body	Al	---
4	spring cage	POM - Ms	8.2133.72.000
5	diaphragm	NBR - Ms	*
6	regulating spring 0-12 bar	St. - galvanized	5.2133.08.000
7	valve cone	NBR - Ms	*
8	spring C.33-22	niro	5.2133.22.000
9	sealing frame	NBR	*
10	bonnet	Al	---
11	spring cage lockable C.33-K	POM - Al	8.2133.72.001
12	lock cylinder C.33-52	Ms	5.2133.52.000



**ordering information**

ISO.3 P

type  port side

ordering example: ISO.3 P 14

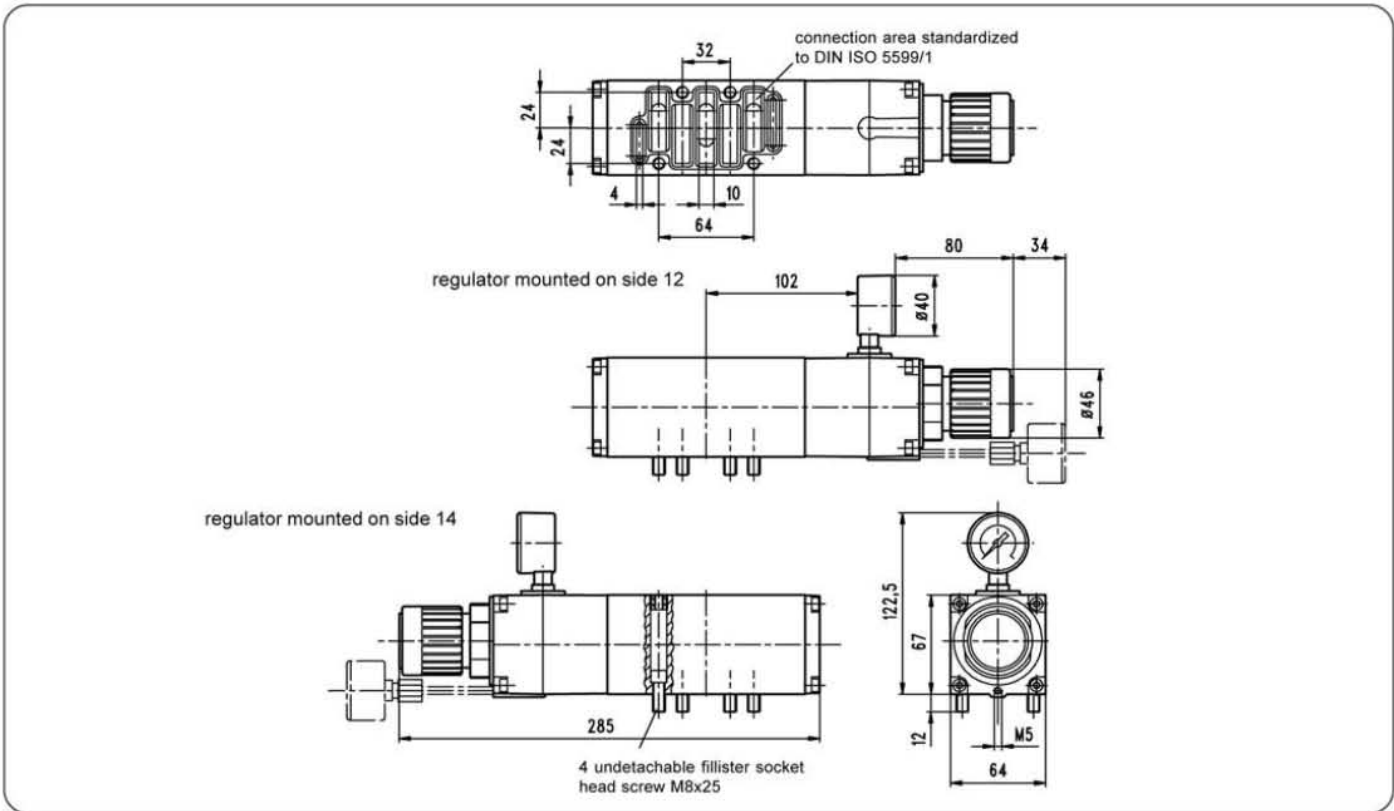
**application information**

- adjusting knob can be locked by depressing

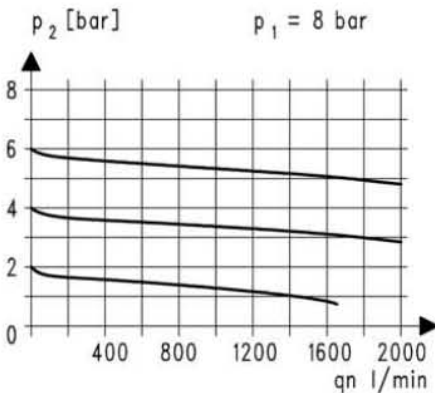
Dimensions (mm)

3

AIR PILOT VALVES



**flow characteristics**



**accessories**

adaptor for gauge with rear connection



Mod.: ISO.3-12