

$C_v = .07$

Basic Logic Valves Series 2L

$C_v = .07$

Cartridge \varnothing 4 mm
(5/32" O.D. tube connection)

These basic pneumatic logic valves provide a range of functions including "AND", "NOT", "OR", "YES" and "Memory".

Materials:

- Anodized Body
- Buna-N Seals (NBR)
- Nickel-Plated Brass Collet and Cartridge Assembly

Basic logic functions Series 2L are available in 5 different models and can be mounted separately by means of 2 passing holes in the body. Bracket Mod. 2LQ-8A allows to have the inlets and outlets on the front side, facilitating the mounting of the connection tubes.

All models are constructed with the pressure window incorporated, which allows an easy detection of any problems. Moreover the fittings are incorporated into the valve body and are super-rapid $\varnothing 4$. The "NOT" element has an actuating pressure of 0.3 bar.



TECHNICAL SPECIFICATIONS

Construction	Poppet Design (spool for Memory)
Valve group	Automatic valves (logic units)
Ports	Cartridge $\varnothing 4$ mm (5/32" O.D. tube connection)
Operating pressure	32° - 175° F, (dry air necessary down to -4° F)
Lubricant	Not required; otherwise, oil compatible with Buna-N seals (3 - 10° F): ISOVG32 grade (32 centistokes)
Fluid	Air, with or without lubrication

PNEUMATIC DATA

Operating pressure	29 - 116 psi
Nominal flowrate	70 NL/min. (2.47 SCFM), $C_v = .007$
Dimensions in millimeters	



Cv = .07

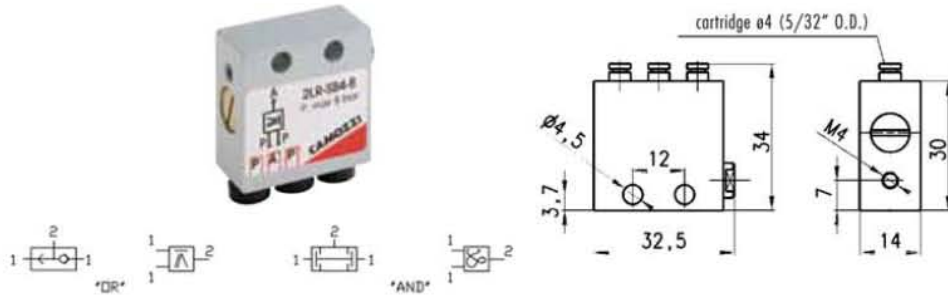
3

AIR PILOT VALVES

"Or", "And" Valve Mod. 2LR.../2LD... (5/32" O.D. Cartridges)

Cv = .07

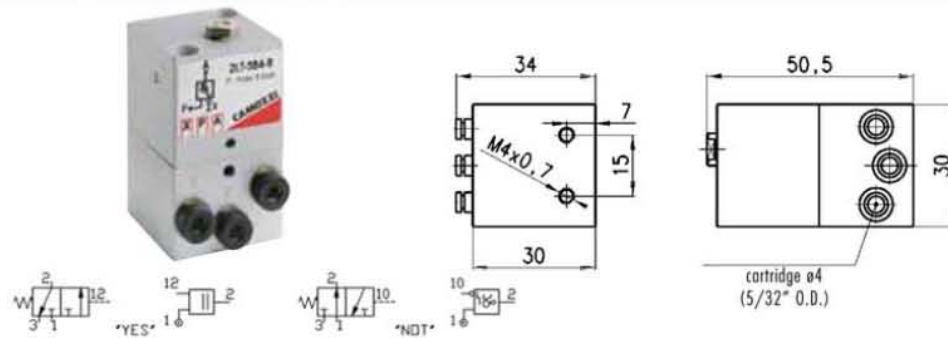
Mod.	
2LR-SB4-B	(OR)
Mod.	
2LD-SB4-B	(AND)



"Yes", "Not" Valve Mod. 2LS.../2LT... (5/32" O.D. Cartridges)

Cv = .07

Mod.	
2LS-SB4-B	(YES)
Mod.	
2LT-SB4-B	(NOT)

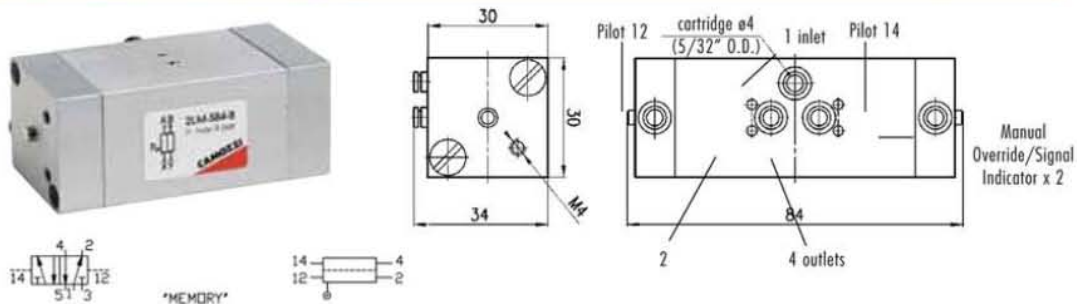


* Minimum actuating pilot pressure is 0.3 bar (4.3 psi), at point "X" (10 or 12)

"Memory" Valve Mod. 2LM... (5/32" O.D. Cartridges)

Cv = .07

Mod.	
2LM-SB4-B	



* Operation: Pilot air signals at points 12 or 14 shift spool to direct main air from 1 to 2 or 1 to 4 respectively. "Memory" valve will continue to direct air to same outlet as last signal with or without pilot signal or until manual override stem on side of pilot is depressed.

Right-angle bracket Mod. 2LQ...

Cv = .07

Mod.	
2LQ-BA	

