

Pressure gauges and accessories Series MX, MC, M and N

3

Pressure gauges with radial or rear connection, or for panel mounting.
Systems of rapid connections designed to make the mounting easier.



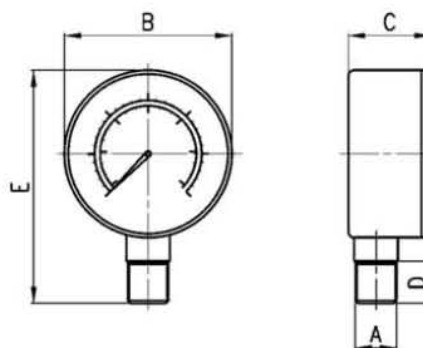
- » Pressure gauges with precision classes CL1,6 and CL2,5
- » Terminal flanges
- » Rapid clamps
- » Fixing kits
- » Wall fixing kits
- » Fixing brackets

To select the most suitable pressure gauge, the measurement range should be chosen considering the type of application according to the following criteria:

1. Constant pressure or pressure with slow fluctuations should be within 75% of the maximum scale value.
2. Pulsing pressure or rapid fluctuations should be within 65% of the maximum scale value.
3. Pressure peaks should never exceed the maximum scale value.

Pressure gauges with radial connection

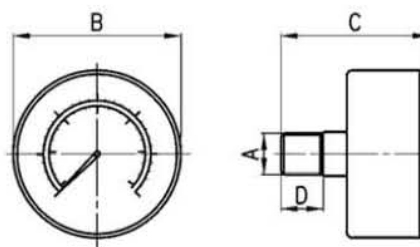
Precision class CL1,6 (mod. M063...)
 Precision class CL2,5 (mod. M043... and M053...)



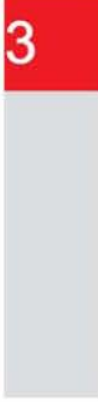
DIMENSIONS						
Mod.	A	B	C	D	E	Range
M043-R06	R1/8	Ø 40,5	24,5	10	57	0-6 bar
M043-R12	R1/8	Ø 40,5	24,5	10	57	0-12 bar
M053-R12	R1/8	Ø 52,5	29	10	70	0-12 bar
M063-R12	R1/4	Ø 63	28	12	83	0-12 bar

Pressure gauges with rear connection

Precision class CL1,6 (mod. M063...)
 Precision class CL2,5 (mod. M043... and M053...)



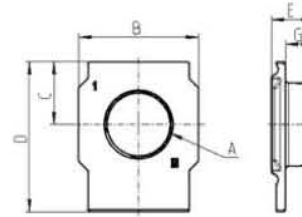
DIMENSIONS					
Mod.	A	B	C	D	Range
M043-P04	R1/8	Ø 40	39,5	10	0-4 bar
M043-P06	R1/8	Ø 40	39,5	10	0-6 bar
M043-P10	R1/8	Ø 40	39,5	10	0-10 bar
M043-P12	R1/8	Ø 40	39,5	10	0-12 bar
M053-P04	R1/8	Ø 53	45	10	0-4 bar
M053-P06	R1/8	Ø 53	45	10	0-6 bar
M053-P10	R1/8	Ø 53	45	10	0-10 bar
M053-P12	R1/8	Ø 53	45	10	0-12 bar
M063-P04	R1/4	Ø 62,5	45,5	12	0-4 bar
M063-P06	R1/4	Ø 62,5	45,5	12	0-6 bar
M063-P12	R1/4	Ø 62,5	45,5	12	0-12 bar



Terminal flanges (IN/OUT) for series MX

New

The kit is supplied with:
- n° 1 Flange INLET side
- n° 1 Flange OUTLET side



Mod.	A	B	C	D	E	G
MX3-3/4-FL	G3/4	58	30,5	73	20,5	13,5
MX3-1-FL	G1	58	30,5	73	20,5	13,5

Rapid clamps kit for series MX

New

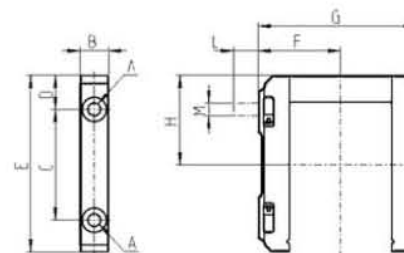
The kit MX3-X is supplied with:
n° 1 rapid clamp, n° 1 O-ring OR 3150 **,
n° 2 square nuts, n° 2 screws M6x75

The kit MX3-Z is supplied with:
n° 1 rapid clamp, n° 1 O-ring OR 3150 **,
n° 1 square nut, n° 1 screw M6x75,
n° 1 screw M6x90 for wall fixing



See positioning scheme on p. 3/0.50.04

** it can be also separately ordered (cod. C401-F33)



Mod.	A	B	C	D	E	F	G	H	L	M
MX3-X	6,2	14	54	16,5	86	40	77	43,5	-	-
MX3-Z	6,2	14	54	16,5	86	40	77	43,5	13	M6 *

* kit with wall fixing screw

Rapid clamp kit with wall fixing brackets for series MX

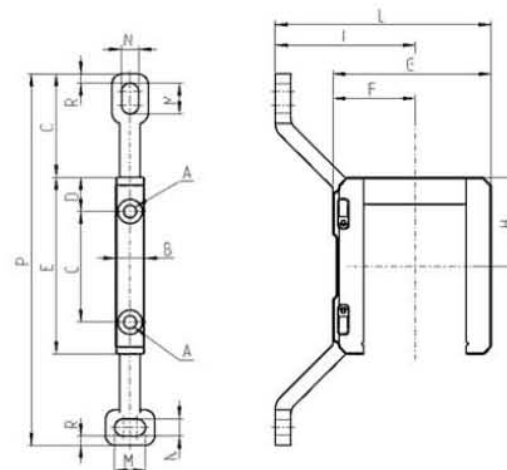
New

The kit MX3-Y is supplied with:
n° 1 wall rapid clamp, n° 1 O-ring,
n° 2 square nuts, n° 2 screws M6x75

** it can be also separately ordered (cod. C401-F33)



See positioning scheme on p. 3/0.50.04



Mod.	A	B	C	D	E	F	G	H	I	L	M	N	O	P	R
MX3-Y	6,2	14	54	16,5	86	40	77	43,5	68	105	15	8,4	50,5	181	4,5

TREATMENT > Pressure gauges and Accessories Series C, MC, MX, M and N

CATALOGUE > Release 8.2

Rapid clamps kit + flanges for series MX

New

See positioning scheme on page 3/0.50.04



Mod.	The kit is supplied with:
MX3-3/4-HH	1x MX3-3/4-FL + 2x MX3-X
MX3-1-HH	1x MX3-1-FL + 2x MX3-X
MX3-3/4-JJ	1x MX3-3/4-FL + 2x MX3-Z
MX3-1-JJ	1x MX3-1-FL + 2x MX3-Z

Rapid clamps kit with wall fixing brackets + flanges for series MX

New

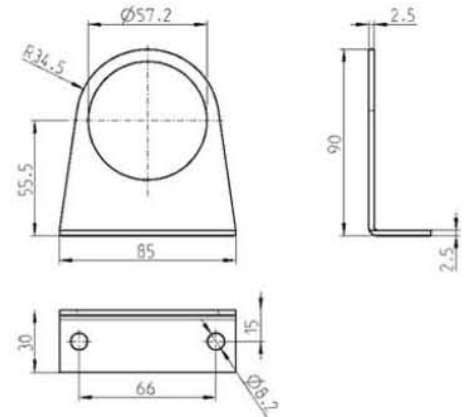
See positioning scheme on page 3/0.50.04



Mod.	The kit is supplied with:
MX3-3/4-KK	1x MX3-3/4-FL + 2x MX3-Y
MX3-1-KK	1x MX3-1-FL + 2x MX3-Y

Fixing bracket for regulator series MX

New



Mod.	
MX3-S	

TREATMENT

3