

Nickel-Plated Brass Pipe Fittings - NPTF/INCH

Connections 10-32 UNF, 1/8", 1/4", 3/8", 1/2" NPTF

When involved in factory maintenance or plant installation, its often difficult to be certain which size of fittings will be required. Pipe fittings provide a cost effective solution to this problem. The full range of fittings includes straight, L-shaped, T-shaped, and cross piece male or female couplings and are available in a variety of thread sizes up to 1/2".

Material: brass OT58 UNI 5705



2500



2520



2521



2530



2543



2020



2013



2003



2033



3033

FITTINGS & ACCESSORIES

TECHNICAL SPECIFICATIONS

Material	Brass OT58 UNI 5705, nickel plated
Threads	10-32 UNF, 1/8", 1/4", 3/8", 1/2" NPTF
Operating pressure	From 0 - 580 psi
Fluid	Compressed air [for other types of fluid please contact our engineers]
Temperature	-40°F - 250°F



NPTF/INCH

1

FITTINGS & ACCESSORIES

Fittings Mod. 2500...

Hex Nipple



DIMENSIONS

Mod.	A		H	L	SW
	NPTF				
2500 02-02	1/8	.315	.807	.472	
2500 04-04	1/4	.472	1.142	.551	
2500 06-06	3/8	.472	1.142	.748	
2500 08-08	1/2	.610	1.437	.866	

Fittings Mod. 2520...

Adapter BSPP Female — NPTF Male

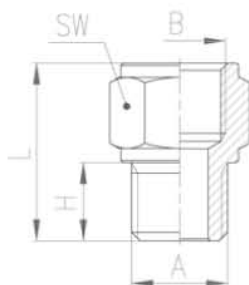


DIMENSIONS

Mod.	A		B	H	L	SW
	UNF	METRIC				
2520 32-M5	10/32	M5		.177	.472	.315
	NPTF		BSP			
2520 02-1/8	1/8	1/8		.315	.708	.512
2520 04-1/4	1/4	1/4		.472	.925	.669
2520 06-3/8	3/8	3/8		.472	.964	.787
2520 08-1/2	1/2	1/2		.551	1.200	.945

Fittings Mod. 2521...

Adapter NPTF Female — BSPP Male

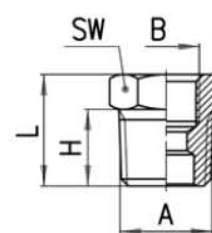


DIMENSIONS

Mod.	A		B	H	L	SW
	BSP	NPTF				
2521 1/8-02	1/8	1/8		.236	.630	.512
2521 1/4-04	1/4	1/4		.315	.846	.669
2521 3/8-06	3/8	3/8		.354	.905	.787
2521 1/2-08	1/2	1/2		.393	1.102	.945

Fittings Mod. 2530...

Reducer NPTF — NPTF

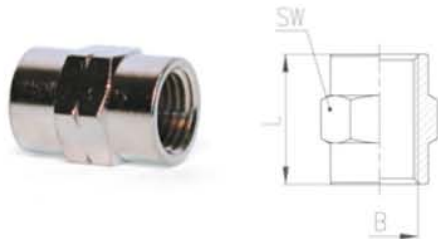


DIMENSIONS

Mod.	A		B	H	L	SW
	NPTF	UNF				
2530 02-32	1/8	10/32		.315	.492	.472
	NPTF		NPTF			
2530 04-02	1/4	1/8		.472	.669	.551
2530 06-02	3/8	1/8		.472	.669	.748
2530 06-04	3/8	1/4		.472	.669	.748
2530 08-04	1/2	1/4		.610	.827	.866
2530 08-06	1/2	3/8		.610	.827	.866

Fittings Mod. 2543...

Coupling NPTF Female — NPTF Female

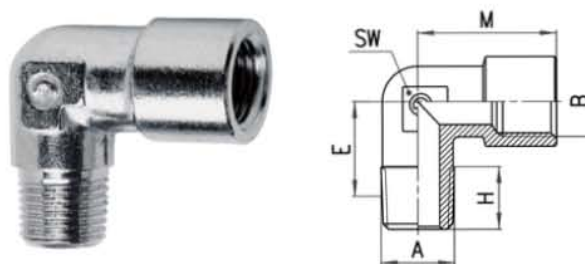


DIMENSIONS

Mod.	B	L	SW
NPTF			
2543 02-02	1/8	.630	.512
2543 04-04	1/4	.905	.669
2543 06-06	3/8	.945	.787
2543 08-08	1/2	1.220	.945

Fittings Mod. 2020...

Elbow NPTF Female — NPTF Male



DIMENSIONS

MOD.	A	B	E	H	M	SW
NPTF		NPTF				
2020 02-00	1/8	1/8	.551	.335	.748	.472
2020 04-00	1/4	1/4	.630	.453	.984	.551
2020 06-00	3/8	3/8	.571	.433	1.043	.630
2020 08-00	1/2	1/2	.768	.591	1.299	.787

Fittings Mod. 2013...

Elbow NPTF Female — NPTF Female

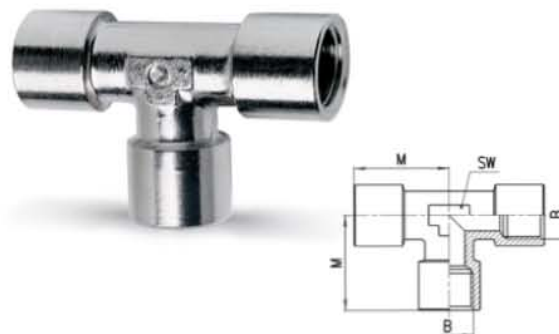


DIMENSIONS

Mod.	B	M	SW
NPTF			
2013 02-00	1/8	.748	.472
2013 04-00	1/4	.994	.551
2013 06-00	3/8	1.043	.630
2013 08-00	1/2	1.299	.787

Fittings Mod. 2003...

Female Tee NPTF



DIMENSIONS

Mod.	B	M	SW
NPTF			
2003 02-00	1/8	.748	.472
2003 04-00	1/4	.984	.551
2003 06-00	3/8	1.043	.630
2003 08-00	1/2	1.299	.787



NPTF/INCH

1

FITTINGS & ACCESSORIES

Fittings Mod. 2033...

Female Cross

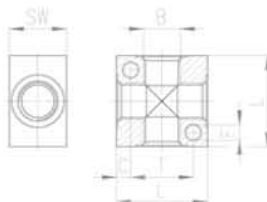


DIMENSIONS

MOD	B	M	SW
	UNF		
2033 32-00	10/32	.374	.354
	NPTF		
2033 02-00	1/8	.748	.472
2033 04-00	1/4	.984	.551
2033 06-00	3/8	1.043	.629

Fittings Mod. 3033...

Distribution Block — Aluminum



DIMENSIONS

Mod.	B	C	F	L	T	SW
	NPTF					
3033 02-00	1/8	.157	.177	.984	.669	.630
3033 04-00	1/4	.196	.216	1.260	.866	.787
3033 06-00	3/8	.275	.216	1.575	1.023	.984
3033 08-00	1/2	.315	.216	1.968	1.338	1.181