

No Minimum Orders!



HI-TECH CONTROLS, INC.
Industrial Enclosure Solutions

Large variety of Sizes!

Materials:

- PC (Polycarbonate)
- ABS (Acryl-Butadiene-Styrene)
- EMI Proof Polycarbonate
- Polyester
- Polystyrene
- Aluminum
- Powder-coated Steel
- Stainless Steel

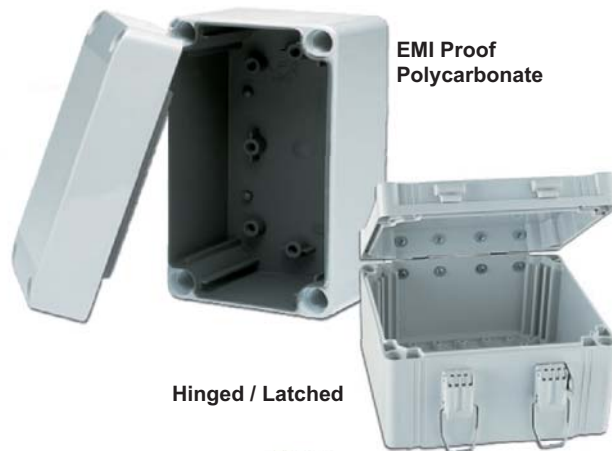
Features:

- Square / rectangle shape
- Solid and transparent lids (PC & ABS)
- Smooth walls or PG/Metric knockouts (Medium PC/ABS)
- Knockout & Membrane Flanges (Large PC/ABS)
- Extension Frames (Large PC/ABS)
- Hinges & Latches (PC)
- EMI Shielding (PC EMI)
- Accessories: Mounting Plates, DIN Rails, Lugs, Clips, Screws, Key, etc.

We will be happy to help you choose the correct enclosure for your application. We also provide customization by replacing standard parts with special options.

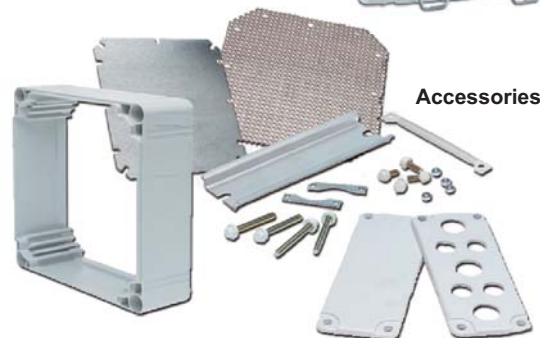
	<p>Drilling and Cutting We perform customized machining such as cutting, drilling, threading and countersinking according to drawings.</p>
	<p>Assembly The enclosures can be equipped with:</p> <ul style="list-style-type: none"> • Cable glands • Circular connectors • Mounting Plates • Flanges • DIN Rails • Hinges, etc.
	<p>Print Company logos, operating instructions and picture symbols can easily be silk screen printed on the enclosures. The enclosures feature a clean and functional style.</p>
	<p>Color Service In addition to the standard gray color, we also offer other color options. For large series, dyed raw material is the most cost-effective color option. Small series can be painted according to the RAL color scale.</p>
	<p>We offer total solutions!</p> <ul style="list-style-type: none"> • Creative • Flexible • Economical <p>We offer one stop shopping.</p>

Our service makes the difference!



EMI Proof Polycarbonate

Hinged / Latched



Accessories

Extension Frame, Mounting Plates, DIN Rail, Flanges, Screws, etc

For custom solutions please provide drawing. The factory will quote based on those specs. Allow adequate time for first delivery.



Polycarbonate / Polystyrene

Functional Integrity

Offshore Applications

Gray or Transparent Covers



Powder-coated Steel & Stainless Steel

Explosion Proof



