

## Check & Quick Exhaust Valves Series SCS, VNR, VSC and VSO - BSP/METRIC

Check valves VNR  
Quick exhaust valves VSC - VSO  
Shuttle valve SCS  
Ports M5, G1/8, G1/4, G1/2  
Cartridge  $\varnothing$ 4 mm

Automatic valves are defined as those valves which change their state simply as a result of compressed air being present or absent at their inlets.



### TECHNICAL SPECIFICATIONS

Valve group	automatic valves
Construction	poppet-type
Mounting	in any position
Ports	M5 - G1/8 - G1/4 - G1/2
Operating temperature	32°F - 175°F, [dry air necessary down to -4° F]
Fluid	filtered air
Lubricant	compatible with Buna-N (3° - 10° E)

### PNEUMATIC DATA

Operating pressure	see single valve
--------------------	------------------



BSP/METRIC

4

FLOW CONTROL VALVES & ACCESSORIES

BSP/METRIC

### Shuttle Valves

The shuttle valve, Mod. SCS-668-06, enables two signals coming alternately from two different points to be channelled towards the same point.

The special design ensures that there is a perfect seal between the inlets, thereby preventing distorted signals or harmful air losses.

The selector is mounted by through holes in the body.

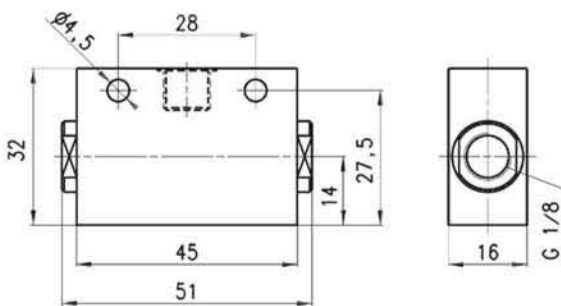
Materials used:

- aluminium body
- OT58 (brass) bush, MG
- Buna-N seals
- Delrin poppet

Qn\* = 800 NI/min

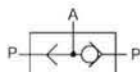
Minimum operating pressure = 0,2 Bar

\*Qn = determinated with 6 bar and DP = 1 bar



Mod.

SCS-668-06

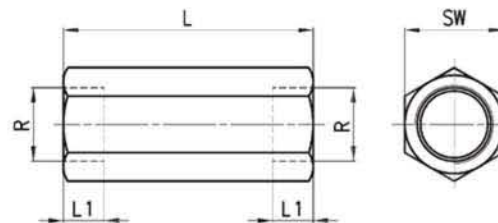


### Check Valves

The unidirectional valves in the VNR Series are available with M5, 1/8 and 1/4 ports. They must be used when it is required to block a flow in one direction only. The design of these valves is of the poppet type and this feature allows operation at low pressures both when there is a free flow and during retention.

Materials used:

- OT58 (brass) body (nickel-plated body 1/4")
- Buna-N seals
- stainless steel spring



#### VNR-205-M5

Qn\*\* = 150 NI/min

Minimum operating pressure = 1 bar

#### VNR-210-1/8

Qn\* = 600 NI/min

Minimum operating pressure = 0.3 bar

#### VNR-843-07

Qn\* = 1400 NI/min

Minimum operating pressure = 0.2 bar

\* Qn = determinated with 6 bar and Dp = 1 bar

\*\* Qn = determinated with 6 bar and Dp = 2 bar

#### DIMENSIONS

Mod.	R	L	L1	SW
VNR-205-M5	M5	25	6	8
VNR-210-1/8	G1/8	34	7	13
VNR-843-07	G1/4	48	9	17





**Quick exhaust valves Series VSO**

Quick exhaust valves are commonly used to increase the speed of cylinders or for rapid depressurisation of tanks containing compressed air. The models VSO 425-M5 and VSO 426-04 are specially designed for mounting on solenoid valves and valves incorporating a dia. 4 cartridge.

We recommend that a silencer be mounted on the outlet.

Materials used:  
- OT58 (brass) body, nickel-plated  
- Buna-N seal

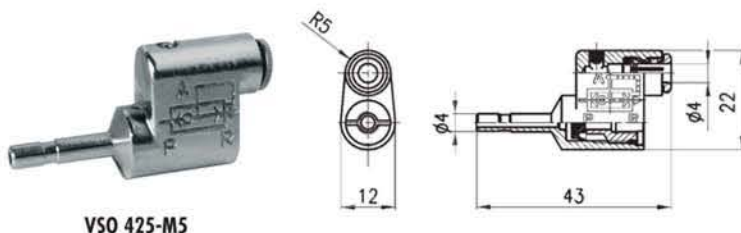
Nominal flowrate

from P → A Qn \* 50 NI/min.

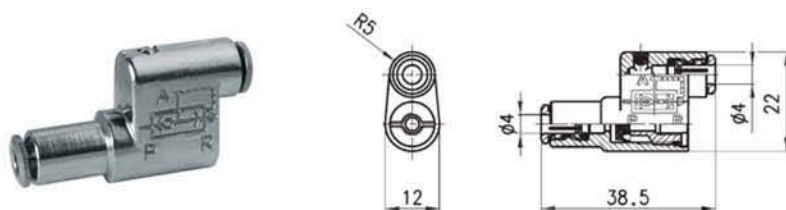
from A → R Qn \* 100 NI/min.

Qn\* = determined with 6 bar and DP = 1 bar

Minimum operating pressure = 1 bar

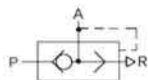


VSO 425-M5

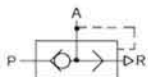


VSO 426-04

Mod.  
VSO 425-M5



Mod.  
VSO 426-04



**Quick exhaust valves Series VSC**

Quick exhaust valves are commonly used to increase the speed of cylinders or for rapid depressurisation of tanks containing compressed air.

We recommend that a silencer be mounted on the outlet.

Materials used:

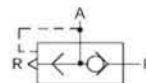
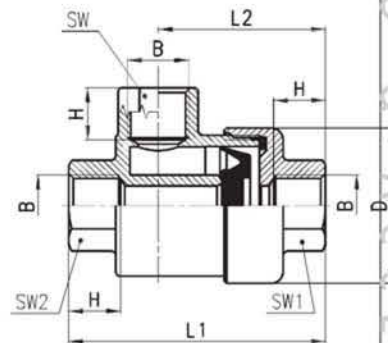
- OT58 (brass) body (nickel-plated)  
- Desmopan seal (Polyurethane)

VSC 588-1/8 Qn = P → A 650 NI/min  
A → R 1000 NI/min

Minimum operating pressure = 0.5 bar  
VSC 544-1/4 Qn = P → A 1100 NI/min  
A → R 1900 NI/min

Minimum operating pressure = 0.3 bar  
VSC 522 1/2 Qn = P → A 4500 NI/min  
A → R 6300 NI/min

Minimum operating pressure = 0.2 bar  
\* Qn = determined with 6 bar and Dp = 1 bar



DIMENSIONS (MM)							
Mod.	B	D	L1	L2	SW	(SDFM) QN P → A	(SDFM) QN A → R
VSC 588 - 1/8	G1/8	28	36.5	25	14	650	1000
VSC 544 - 1/4	G1/4	33	42	28.5	17	1100	1900
VSC 522 - 1/2	G1/2	43	57.5	39.5	24	4500	6300