



BSP/METRIC

7

P R E S S U R E S W I T C H E S

## Adjustable-Diaphragm Pressure Switches Series PM - BSP/METRIC

Normally closed or open - Ports 1/8" BSP

## Electro-Pneumatic Transducer Series TRP

Normally closed or open - Ports 4mm OD

## Pressure Indicators Series 2950

Ports M5 [10-32 UNF]

The diaphragm pressure switches in the PM Series are available in two versions: one with NC (normally closed) contacts and one with NO (normally open) contacts.

A regulating screw, which can be adjusted using a small screwdriver, allows the switch to be set to the required pressure.

The calibrated diaphragm enables an electrical signal to be generated or inhibited depending on the pressure set.



### TECHNICAL SPECIFICATIONS

Valve group	Pressure switches
Construction	Diaphragm type, adjustable
Mounting	Body through holes, ports
Materials	Brass body
Port sizes	1/8" NPTF [with adapters 2520-02-1/8]
Installation	According to requirements
Operating temperature	23° - 140° F
Fluid	Filtered air
Lubricant	Oil compatible with Buna-N, [3° - 10° E]
Operating pressure	1.0 - 10 bar [14.5 - 145 psi]
Min. activation pressure of the Series TRP-8	1.5 bar [22 psi]

**TECHNICAL SPECIFICATIONS (TRP 8)**

Voltage	220 V max.
Max. power	100 VA *
Protection class	IP54 ** [with rubber bonnet]
Max. no. of pulses per min.	300
Lifetime	1 million cycles
Max. current	0.5 A
Isolation voltage	1500 V

\* Maximum power using standard  $P = V \cdot I$  formula  
 \*\* Protection class rating for resistance to penetration and water, [IP54 equals total protection against contact, possible powder penetration, and water-proof for water coming from any direction.]  
 \*\*\* Dimensions in millimeters.

**Adjustable-diaphragm pressure switches Series PM**

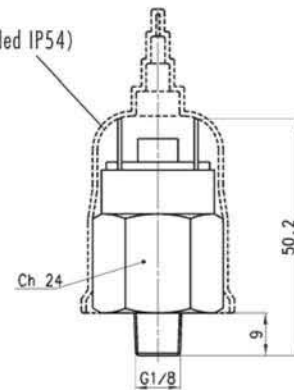
**Mod.**  
**PM11-NC**  
**NC** = The pressure switch opens an electric contact when it reaches the fixed pressure.



**Mod.**  
**PM11-NA**  
**NA** = The pressure switch closes an electric contact when it reaches the fixed pressure.



Cover (Rubber Boot Included IP54)



ELECTRICAL DATA (PM11)	
voltage	48 V AC/DC
max. power	24 VA
operating type	heavy
isolation voltage	500 V



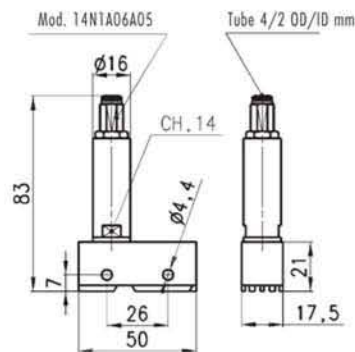
**Electro-pneumatic transducer Series TRP**

The TRP Series transducer is specially designed to convert a pneumatic signal into an electrical signal. The contacts are NC (normally closed) or NO (normally open), thus making it possible to generate or eliminate current when the pneumatic signal is present.

Operating pressure 2.5 ÷ 10 max. (36-145 psi)

Mod.

**TRP-8**



**Pressure indicators Series 2950**

The pressure indicator, Mod. 2950-M5 (10-32 UNF) is passive element (no spring, red). It is useful for detecting pressure manually without having to remove the connections.

**DIMENSIONS**

Mod.	A	H	L	SW1
<b>2950 M5</b>	10-32 UNF	4	13.5	8

