

Needle Valve Series 28 - BSP/METRIC

BSP/Metric — Needle valve Series 28

These are bidirectional control valves made entirely of nickel-plated brass OT58 (brass), with Buna-N seals and a plastic control knob. They are suitable for regulating compressed air, water or mineral oil.



TECHNICAL SPECIFICATIONS

| | |
|-----------------------|---|
| Construction | cone-type |
| Mounting | by through-holes in body or console |
| Materials | Nickel-plated brass, plastic control knob, Buna-N seals |
| Ports | G1/8, G1/4, G3/8, G1/2 |
| Installation | as required |
| Operating temperature | 32°F - 175°F (with dry air necessary -4°F) |

PNEUMATIC DATA

| | |
|--------------------|--------------------------|
| Operating pressure | 0 — 10 bar [0 - 145 psi] |
| Nominal flowrate | see table |

CONTROL VALVE FLOWRATE

(inlet pressure: 6 bar)

DIMENSIONS

| Model | WITH ΔP 1 bar | AS Free flow |
|-----------------|---------------|--------------|
| 2810 1/8 | 415 NI/min | 590 NI/min |
| 2820 1/8 | 400 NI/min | 640 NI/min |
| 2830 1/8 | 415 NI/min | 635 NI/min |
| 2810 1/4 | 508 NI/min | 740 NI/min |
| 2820 1/4 | 530 NI/min | 840 NI/min |
| 2830 1/4 | 530 NI/min | 850 NI/min |
| 2810 3/8 | 620 NI/min | 900 NI/min |
| 2820 3/8 | 1415 NI/min | 1990 NI/min |
| 2830 3/8 | 1415 NI/min | 1980 NI/min |
| 2810 1/2 | 1540 NI/min | 2080 NI/min |
| 2820 1/2 | 1520 NI/min | 2150 NI/min |
| 2830 1/2 | 1520 NI/min | 2100 NI/min |

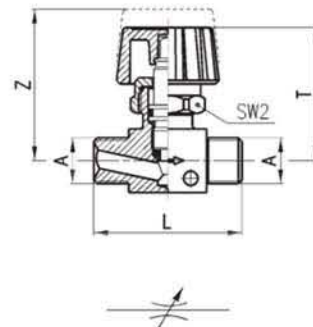


BSP/METRIC

4

FLOW CONTROL VALVES & ACCESSORIES

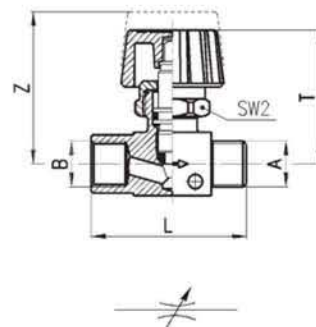
Valve Mod. 2810... (Needle Orifice)



DIMENSIONS (MM)

| Mod. | A | L | T | Z | SW2 |
|----------|------|----|----|------|-----|
| 2810 1/8 | G1/8 | 40 | 37 | 42.5 | 19 |
| 2810 1/4 | G1/4 | 42 | 37 | 42.5 | 19 |
| 2810 3/8 | G3/8 | 42 | 37 | 42.5 | 19 |
| 2810 1/2 | G1/2 | 54 | 42 | 48 | 22 |

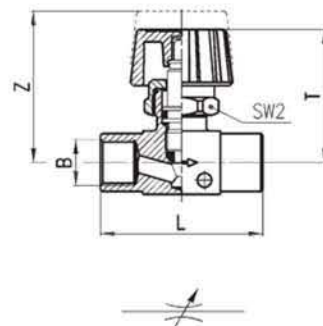
Valve Mod. 2820... (Needle Orifice)



DIMENSIONS (MM)

| Mod. | A | B | L | T | Z | SW2 |
|----------|------|------|------|------|------|-----|
| 2820 1/8 | G1/8 | G1/8 | 41 | 37 | 42.5 | 19 |
| 2820 1/4 | G1/4 | G1/4 | 44 | 37 | 42.5 | 19 |
| 2820 3/8 | G3/8 | G3/8 | 55.5 | 41.5 | 48 | 22 |
| 2820 1/2 | G1/2 | G1/2 | 59 | 42 | 49 | 22 |

Valve Mod. 2830... (Needle Orifice)



DIMENSIONS (MM)

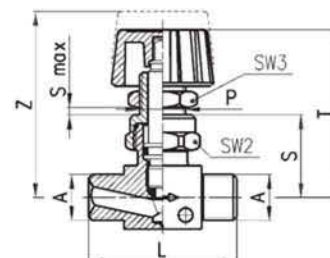
| Mod. | B | L | T | Z | SW2 |
|----------|------|----|------|------|-----|
| 2830 1/8 | G1/8 | 42 | 37 | 42.5 | 19 |
| 2830 1/4 | G1/4 | 46 | 37 | 42.5 | 19 |
| 2830 3/8 | G3/8 | 62 | 41.5 | 48 | 22 |
| 2830 1/2 | G1/2 | 64 | 42 | 49 | 22 |

BSP/METRIC





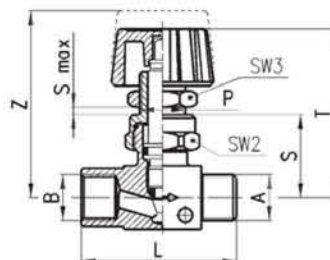
Valve Mod. 2819... (Needle Orifice)



DIMENSIONS (MM)

| Mod. | A | L | P | S | T | Z | S max | SW2 | SW3 |
|----------|------|----|-----|----|----|------|-------|-----|-----|
| 2819 1/8 | G1/8 | 40 | 1/4 | 23 | 47 | 52.5 | 7 | 19 | 17 |
| 2819 1/4 | G1/4 | 42 | 1/4 | 23 | 47 | 52.5 | 7 | 19 | 17 |

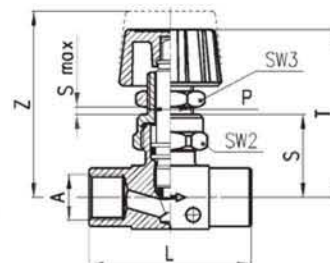
Valve Mod. 2829... (Needle Orifice)



DIMENSIONS (MM)

| Mod. | A | B | L | P | S | T | Z | S max | SW2 | SW3 |
|----------|------|-----|----|-----|----|----|------|-------|-----|-----|
| 2829 1/8 | G1/8 | 1/8 | 41 | 1/4 | 23 | 47 | 52.5 | 7 | 19 | 17 |
| 2829 1/4 | G1/4 | 1/4 | 44 | 1/4 | 23 | 47 | 52.5 | 7 | 19 | 17 |

Valve Mod. 2839... (Needle Orifice)



DIMENSIONS (MM)

| Mod. | A | L | P | S | T | Z | S max | SW2 | SW3 |
|----------|------|----|------|----|------|------|-------|-----|-----|
| 2839 1/8 | G1/8 | 42 | 1/4 | 23 | 47 | 52.5 | 7 | 19 | 17 |
| 2839 1/4 | G1/4 | 46 | 1/4 | 23 | 47 | 52.5 | 7 | 19 | 17 |
| 2839 3/8 | G3/8 | 62 | 14x1 | 28 | 56.5 | 63 | 7 | 22 | 17 |
| 2839 1/2 | G1/2 | 64 | 14x1 | 29 | 57 | 64 | 7 | 22 | 17 |