



NPTF/INCH

3

Ball Valves - Full Flow Design Series 2960, 2930-N NPTF/INCH

Ports 1/4", 3/8", 1/2", 3/4", 1", 1 1/4", 1 1/2", 2", 2 1/2", NPTF

Mod. 2960 Plain Brass, L-Passage

3 way — 2 position, Lockable

Mod. 2930-N Nickel-Plated,

2 way — 2 position



TECHNICAL SPECIFICATIONS

Valve group	3/2, 2/2, [way/positions]
Construction	Ball valve
Mounting	In-line
Materials	Brass body [2960], chrome steel body [2930-N], steel handles (2960) Plastic handles [2930-N], Hardened chrome-plated brass ball, Teflon seat
Threaded port sizes	1/4", 3/8", 1/2" NPTF [2930-N] 1/4", 3/8", 1/2", 3/4", 1", 1-1/4", 1-1/2", 2" NPTF [2960]
Installation	In-line
Operating temperature	Series 2960 (5° - 300°F), Series 2930-N (14° - 300°F)
Fluid	Filtered air (for others, check with factory)

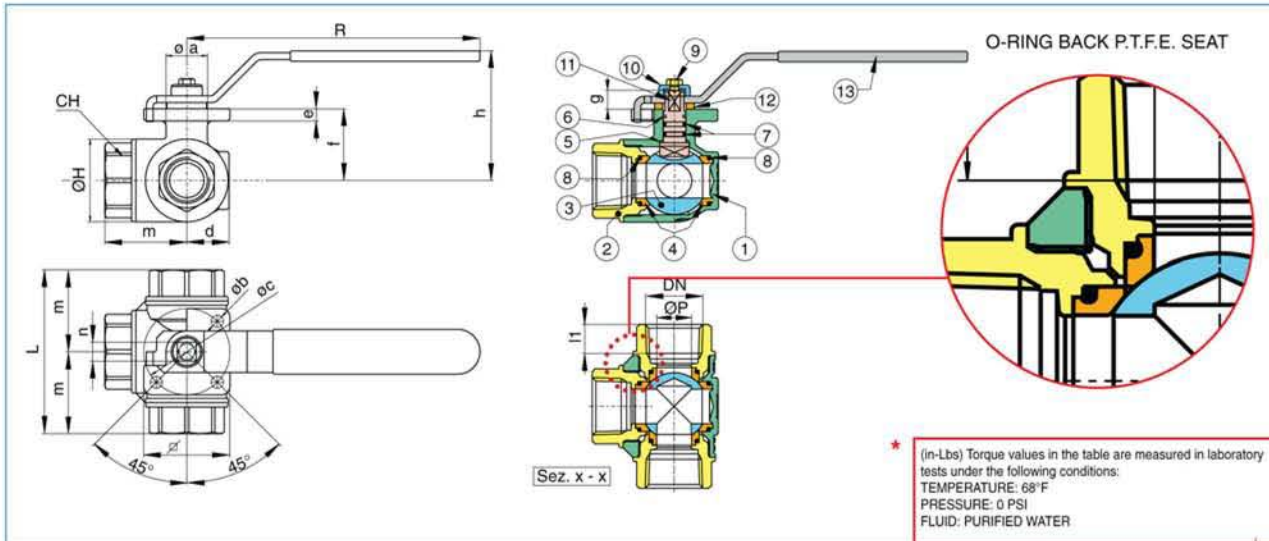
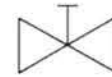
PNEUMATIC DATA

Working pressure	Series 2960	1/4", 3/8", 1/2", 3/4"	- 430 psi
		1"	- 230 psi
		1-1/4", 1-1/2", 2"	- 150 psi
Nominal flow	Series 2930-N:	1/4", 3/8", 1/2"	- 220 psi
		Full flow design	



Ball Valve, Series 2960 L-Passage, 3 way — 2 position, Lockable

These valves are constructed of a brass body, a steel handle, a hardened chrome-plated brass ball, and a teflon seat. These valves are suitable for industrial, pneumatic, hydraulic, and various domestic installations. Among the various types of compounds which can be transported through these valves are steam, gasoline, fuel, oils, kerosene, acids, and compressed air.



* (in-Lbs) Torque values in the table are measured in laboratory tests under the following conditions:
TEMPERATURE: 68°F
PRESSURE: 0 PSI
FLUID: PURIFIED WATER

N POS	PART NAME	MATERIAL	N PCS	SIZE	ØP	ØH	l1	L	m	CH	R	h	Øa	Øb	Øc	d	e	f	g	∠	n	CV	psi	Lbs*	in-Lbs
1	BODY	BRASS CW 617 NUNI EN 12165	1	1/4"	0.39	1.34	0.39	2.64	1.32	0.86	4.72	2.44	0.87	0.23	1.42 (ISO F03)	0.77	0.20	1.20	0.35	1.49	0.35	3.26	400	1.22	53.10
2	END CONNECTION	BRASS CW 617 NUNI EN 12165	3	3/8"	0.43	1.34	0.40	2.64	1.32	0.86	4.72	2.44	0.87	0.23	1.42 (ISO F03)	0.77	0.20	1.20	0.35	1.49	0.35	3.50	400	1.16	53.10
3	BALL	BRASS CW 617 NUNI EN 12165	1	1/2"	0.43	1.34	0.53	2.87	1.44	1.06	4.72	2.44	0.87	0.23	1.42 (ISO F03)	0.77	0.20	1.20	0.35	1.49	0.35	4.20	400	1.21	53.10
4	BALL SEAT	P.T.F.E	4	3/4"	0.59	1.53	0.55	3.19	1.60	1.25	4.72	2.52	0.87	0.23	1.42 (ISO F03)	0.87	0.20	1.29	0.35	1.49	0.35	7.00	400	1.44	53.10
5	THRUST WASHER	P.T.F.E	1	1"	0.79	1.89	0.66	3.74	1.87	1.61	6.69	2.95	0.94	0.27	1.97 (ISO F05)	1.00	0.28	1.63	0.43	1.97	0.43	12.83	400	2.64	150.46
6	STEM SEAL	P.T.F.E	1	1 1/4"	0.98	2.36	0.68	4.39	2.20	1.96	6.69	3.17	0.94	0.27	1.97 (ISO F05)	1.22	0.28	1.85	0.43	1.97	0.43	18.67	400	4.15	150.46
7	O-RING STEM	FKM (Viton®)	1	1 1/2"	1.26	2.83	0.68	4.86	2.43	2.16	6.69	3.66	1.26	0.27	1.97 (ISO F05)	1.79	0.28	2.34	0.43	1.97	0.43	29.75	400	6.02	150.46
8	O-RINGS BODY	FKM (Viton®)	4	2"	1.57	3.38	0.70	5.73	2.87	2.75	9.05	4.43	1.46	0.35	2.76 (ISO F07)	1.75	0.32	2.90	0.59	2.75	0.55	43.76	400	9.08	274.37
9	SCREW	Steel 6/S	1	2 1/2"	1.95	4.37	0.93	6.93	3.47	3.34	9.05	4.86	1.46	0.35	2.76 (ISO F07)	2.20	0.32	3.35	0.59	2.75	0.55	70.00	400	16.33	380.58
10	BUSH	BRASS CW 614 NUNI EN 12164	1	3"	1.95	4.45	1.01	7.08	3.54	4.13	9.05	4.86	1.46	0.35	2.76 (ISO F07)	2.20	0.32	3.35	0.59	2.75	0.55	70.00	400	19.55	380.58
11	STEM	BRASS CW 614 NUNI EN 12164	1																						
12	WASHER	NYLON	1																						
13	HANDLE	Fe DD 11 UNI EN 10111	1																						



NPTF/INCH

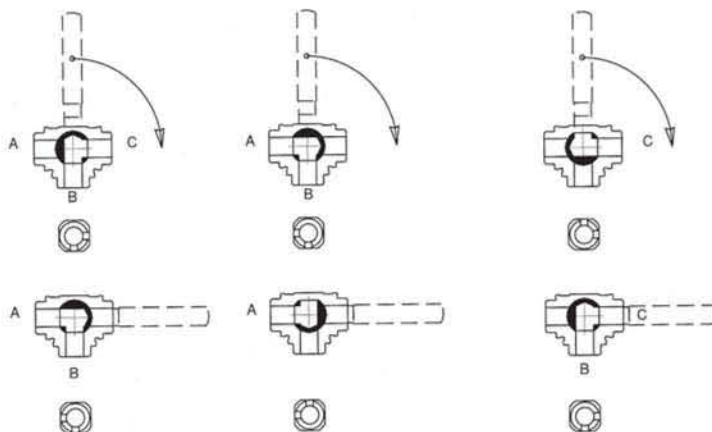
3

FLOW CONTROL VALVES & ACCESSORIES

Ball Valve, Series 2960 L-Passage, 3 way — 2 position, Lockable

Ball bores position is by the stem's milling: A B C = outlets
90° lever rotations

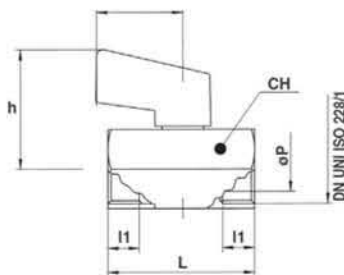
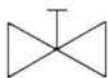
To change outlets combination operation as follow:
Remove the lever; turn the stem into the desired starting
position); Reset the lever



Mini Ball Valve, Series 2930 N

These valves are constructed of all nickel-plated, brass body, hardened chrome-plated brass ball, teflon seat, and light weight plastic handle.

Kv = Flow coefficient in M³/h → 100kPa differential pressure (ΔP 14.5 psi)



DIMENSIONS (in inches)

Economical Ball Valves (nickel-plated, brass body)

Mod.	DN(NPTF)	CH	I	h	L	R	Kv (M ³ /h)	Kg	PSI
2930 N-1/4PT	1/4"	.857	.384	1.437	1.614	1.063	4.3	0.11	220
2930 N-3/8PT	3/8"	.857	.394	1.437	1.614	1.063	2.7	0.10	220
2930 N-1/2PT	1/2"	.984	.433	1.484	1.811	1.063	5.4	0.14	220