



Composite Push-In Fittings - BSP/METRIC

Tube diameter: Ø 4mm, 6mm, 8mm, 10mm, 12mm, 16mm
Connections 1/8, 1/4, 3/8, 1/2 BSP

These new models have been released in technopolymer, maintaining the same technical characteristics as the existing Camozzi fittings range.

Lightweight, adaptable and they allow for easy maintenance of the collet and the internal seal.
All materials, but the internal seal, can easily be recycled.



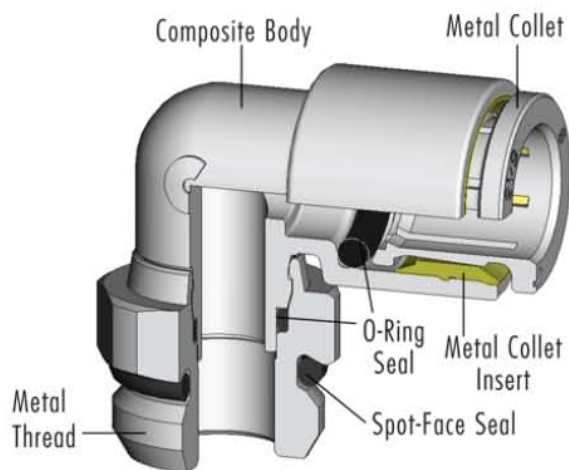
TECHNICAL SPECIFICATIONS

Material	body in technopolymer (glass-reinforced Nylon® 66 Resin) collet OT58 nickel-plated brass, seals in BUNA-N
Thread connections	1/8, 1/4, 3/8, 1/2, BSP
Operating pressure	0-250 psi
Tube to connect	Nylon®, polyamide 6 - 11 - 12, polyethylene, polyurethane
Diameters Tube OD	ø 4mm, 6mm, 8mm, 10mm
Fluid	compressed air (for other types of fluid, contact our engineers)
Temperature	-20° +60°C (see data for tubing used) (-4°F to 140°F). Consult factory for higher temperature requirements.



Composite Fittings: BSP Threads with Spot-Face O-Ring Seal

The technical solution: Camozzi has maintained the technically advanced and world-renowned collet solution by further optimizing the dimensions and the design from Series 6000 Fittings and Flow Control Valves.



Durable Metal Collet: Nickel-Plated brass collet provides superior resistance to shock, wear and fatigue compared to inferior plastic collets. Proven metal design offers a higher holding force with easier tube release that won't scratch tubing like plastic "bite-ring" designs. Tube OD size is stamped on collet face.

Composite Body: Glass-fiber reinforced, thermoplastic material is incredibly strong and lightweight with improved resistance to UV exposure, abrasion and other chemical substances. Molded composite material allows for integral mounting holes and a broader range of complex shapes.

Spot-Face O-Ring Thread Seal Design: Reusable Buna-N seal reduces assembly time by up to 45% and eliminates exposed threads, making it ideal for food processing, robotics, packaging & manifold assemblies. Eliminates risk of pneumatic system contamination from antiquated thread sealants.

FEATURES

Collet

- Nickel-Plated, All-metal Collet and Release ring
- Brass insert for collet support and tube grip strength
- Collet design offers greater grip strength under higher pressure or tubing tension
- Collet release mechanism based on relaxed slope of grip teeth, as opposed to disengaging "bite-rings" from partially cut tubes
- Removable Collet and tube o-rings

Body

- Glass-fiber reinforced, thermoplastic compact injection-molded body
- All-Metal, Nickel-Plated Threads
- Standard Buna-N or Specialized O-ring choices for High-Temp, Low-Temp, Special Fluids, Food-Grade compatibility
- Broad Range of shapes and configurations
- Crimp design on Swivels maintains Full ID Flow path
- Swivels offer Mechanical crimping lock based on brass design

Thread Design

- Multiple Thread sealant systems: Pro-Fit/NPTF & BSP/O-Ring Spot Face
- Full ID Flow for Swivels with high relief on larger sizes
- Swivels supported on two surfaces for stability and support of captured swivel o-ring seal

BENEFITS

Collet

- Won't break like plastic release rings, More Durable design
- Brass insert maintains collet stability, tube grip strength and consistent tube-release performance
- Higher holding force, with easier release
- Won't scratch tubes like "bite-ring" designs
- Less chance of micro-leakage and bubble-leaks over time due to damaged tubing
- Higher pressures actually offer greater grip-strength with high-pressure Nylon tubing
- OD Tube Size stamped on Collet face

Body

- Thermoplastic Nylon composite more resistant to UV exposure
- Better resistance to stress-cracking, abrasion, solvents, detergents & hydrocarbons
- 15% Reduction in overall Body size, (24% in Assembly height / 8% in Tube Radius), compared to recently reduced-size Brass line

Spot-Face O-Ring Thread Design

- Reduced assembly time without taping of threads
- Re-usable seal design, with no exposed threads
- FDA/NSF approved materials
- Simplified manifold circuits with broader variety of fitting combinations and shapes to select
- Lighter weight for End-of-Arm tooling & Robotic handling
- Compact design reduces overall dimensions for valve assemblies, packaging applications and control cabinets

FITTINGS & ACCESSORIES

BSP/METRIC

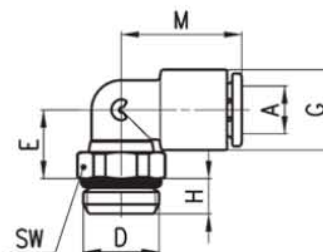


Fittings Mod. 7522

Male Elbow Swivel
With O-Ring assembled.

DIMENSIONS

Mod.	OD mm						
	A	D	E	G	H	M	SW
7522 4-M5	4	M5	8.5	9	3.5	17	9
7522 4-M7	4	M7	11	9	5	17	12
7522 4-1/8	4	G1/8	9	9	5	17	12
7522 4-1/4	4	G1/4	9	9	6	17	14
7522 6-M5	6	M5	9.5	11.5	3.5	18.5	9
7522 6-M7	6	M7	12	11.5	5	18.5	12
7522 6-1/8	6	G1/8	10	11.5	5	18.5	12
7522 6-1/4	6	G1/4	10	11.5	6	18.5	14
7522 8-1/8	8	G1/8	13.5	13.5	5	20.5	12
7522 8-1/4	8	G1/4	11.5	13.5	6	20.5	14
7522 8-3/8	8	G3/8	12	13.5	7	20.5	19
7522 10-1/4	10	G1/4	14.5	16	6	24	14
7522 10-3/8	10	G3/8	13	16	7	24	19
7522 10-1/2	10	G1/2	13	16	8	24	24
7522 12-1/4	12	G1/4	16	20	6	28	17
7522 12-3/8	12	G3/8	15	20	7	28	19
7522 12-1/2	12	G1/2	14.5	20	8	28	24
7522 16-1/2	16	G1/2	16	27	8	33.5	24
7522 16-3/4	16	G3/4	24	27	9.5	33.5	30

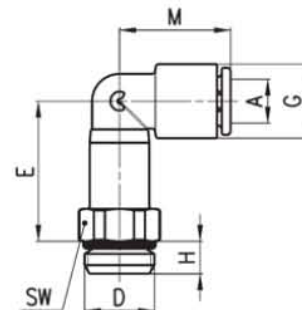


Fittings Mod. 7526

Extended Male Elbow Swivel
With O-Ring assembled.

DIMENSIONS

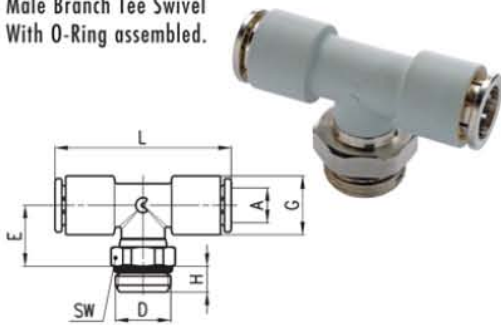
Mod.	OD mm						
	A	D	E	G	H	M	SW
7526 4-1/8	4	G1/8	21	9	5	17	12
7526 6-1/8	6	G1/8	22	11.5	5	18.5	12
7526 6-1/4	6	G1/4	22	11.5	6	18.5	14
7526 8-1/8	8	G1/8	27.5	13.5	5	20.5	12
7526 8-1/4	8	G1/4	26	13.5	6	20.5	14





Fittings Mod. 7432

Male Branch Tee Swivel
With O-Ring assembled.

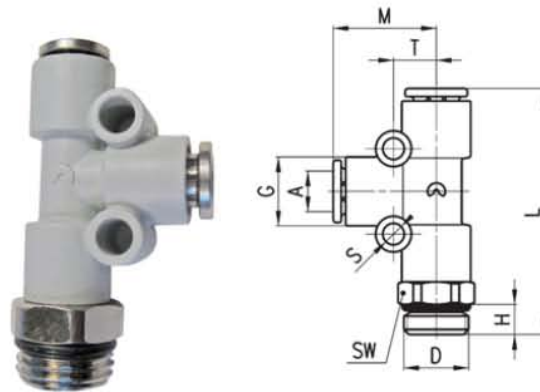


DIMENSIONS

	OD mm						
Mod.	A	D	E	G	H	L	SW
7432 4-M5	4	M5	14	9	3.5	34	9
7432 4-1/8	4	G1/8	11.5	9	5	34	12
7432 6-M5	6	M5	15.5	11.5	3.5	37	9
7432 6-1/8	6	G1/8	13	11.5	5	37	12
7432 6-1/4	6	G1/4	13	11.5	6	37	14
7432 8-1/8	8	G1/8	16	13.5	5	41	12
7432 8-1/4	8	G1/4	14	13.5	6	41	14
7432 8-3/8	8	G3/8	15	13.5	7	41	19
7432 10-1/4	10	G1/4	18.5	16	6	48	14
7432 10-3/8	10	G3/8	17	16	7	48	19
7432 12-1/4	12	G1/4	13	20	6	56	20
7432 12-3/8	12	G3/8	12.5	20	7	56	20
7432 12-1/2	12	G1/2	12.5	20	8	56	24
7432 16-1/2	16	G1/2	16	27	8	67	24
7432 16-3/4	16	G3/4	24	27	9.5	67	30

Fittings Mod. 7442

Male Run Tee Swivel



DIMENSIONS

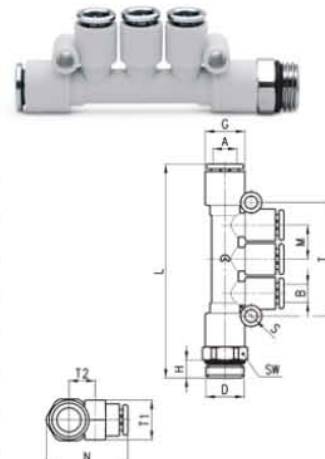
	OD mm								
Mod.	A	D	G	H	L	M	S	T	SW
7442 4-1/8	4	G1/8	9	5	40	16.5	4	6.5	12
7442 6-1/8	6	G1/8	11.5	5	44	18.5	4	7.5	12
7442 6-1/4	6	G1/4	11.5	6	45	18.5	4	7.5	14
7442 8-1/8	8	G1/8	13.5	5	49	20.5	4	8.5	14
7442 8-1/4	8	G1/4	13.5	6	49	20.5	4	8.5	17
7442 8-3/8	8	G3/8	13.5	7	50.5	20.5	4	8.5	19
7442 10-1/4	10	G1/4	16	6	57	24	4	8	17
7442 10-3/8	10	G3/8	16	7	57.5	24	4	8	19
7442 12-3/8	12	G3/8	20	7	65.5	28	4	9.6	19
7442 12-1/2	12	G1/2	20	8	66.5	28	4	9.6	24
7442 16-1/2	16	G1/2	27	8	77.5	33.5	-	-	24
7442 16-3/4	16	G3/4	27	10.5	79	33.5	-	-	30

Fittings Mod. 7542

Multiple Tee Swivel
With O-Ring assembled.

DIMENSIONS

	OD mm												
Mod.	A	B	D	G	H	L	M	N	S	SW	T	T1	T2
7542 6-4-1/8	6	4	G1/8	11.5	5	62.5	9.6	24.5	4	12	32.5	11	7.5
7542 6-4-1/4	6	4	G1/4	11.5	6	63.5	9.6	25.5	4	14	32.5	11	7.5
7542 8-6-1/8	8	6	G1/8	13.5	5	72	11.5	27.5	4	14	38.2	13.5	9
7542 8-6-1/4	8	6	G1/4	13.5	6	72	11.5	27.5	4	14	38.2	13.5	9
7542 10-8-1/4	10	8	G1/4	16	6	87.5	14.1	31	4	17	45.8	16	10.5
7542 10-8-3/8	10	8	G3/8	16	7	88	14.1	32	4	19	45.8	16	10.5





BSP/METRIC

FITTINGS & ACCESSORIES

2

Fittings Mod. 7562

Male Y Swivel with O-Ring assembled.

DIMENSIONS

Mod.	OD mm		A	D	F	H	L	M	S	SW	T	T1	T2
	A	D											
7562 4-1/8	4	G1/8	17	5	40.5	8.3	4	12	12.2	11	16.5		
7562 6-1/8	6	G1/8	21	5	44	10.2	4	14	14.5	13.5	18.5		
7562 6-1/4	6	G1/4	21	6	44	10.2	4	14	14.5	13.5	17.5		
7562 8-1/8	8	G1/8	26	5	47.5	12.7	4	14	17	13.5	17.5		
7562 8-1/4	8	G1/4	26	6	49	12.7	4	17	16.5	15.5	19.5		
7562 10-1/4	10	G1/4	30.5	6	55	15	4	17	16.5	15.5	19.5		
7562 10-3/8	10	G3/8	30.5	7	55.5	15	4	19	16.5	15.5	19		



Fittings Mod. 7572

Multiple Y Swivel with O-Ring assembled.

DIMENSIONS

Mod.	OD mm		A	D	H	F	F1	L	M	S	SW	T	T1	T2
	A	D												
7572 4-1/8	4	G1/8	5	20.5	17	40.5	8.3	4	12	14.5	20.5	15		
7572 4-1/4	4	G1/4	6	20.5	17	41.5	8.3	4	14	14.5	20.5	15		
7572 6-1/8	6	G1/8	5	25	21	45.5	10.2	4	14	16.5	25	17.5		
7572 6-1/4	6	G1/4	6	25	21	45.5	10.2	4	14	16.5	25	16.5		

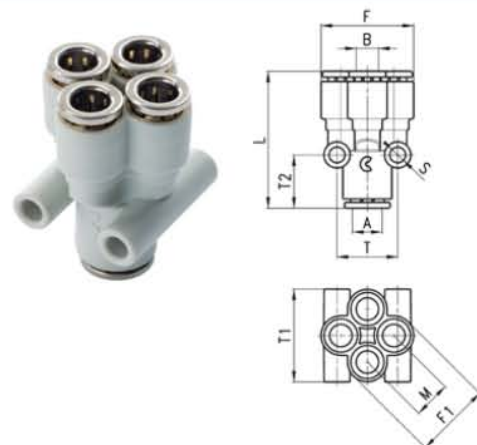


Fittings Mod. 7575

Multi Y

DIMENSIONS

Mod.	OD mm		A	B	F	F1	L	M	S	T	T1	T2
	A	B										
7575 6-4	6	4	20.5	17	33.5	8.3	4	14.5	20.5	13.5		
7575 8-6	8	6	25	21	37	10.2	4	16.5	25	14.5		



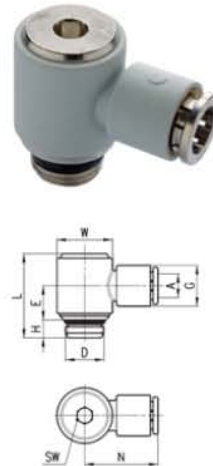
BSP/METRIC

**Fittings Mod. 7622**

Banjo with O-Ring assembled.

DIMENSIONS

Mod.	OD mm								
	A	D	E	G	H	L	N	W	SW
7622 4-1/8	4	G1/8	10	11.5	5	24.5	21	14	4
7622 6-1/8	6	G1/8	10	11.5	5	24.5	21	14	4
7622 6-1/4	6	G1/4	12.5	11.5	6	28	24.5	18.5	5
7622 8-1/8	8	G1/8	10	13.5	5	24.5	22.5	14	4
7622 8-1/4	8	G1/4	12.5	13.5	6	28	24.5	18.5	5
7622 10-1/4	10	G1/4	12.5	16	6	28	27	18.5	5
7622 10-3/8	10	G3/8	12.5	16	7	29	27	18.5	5
7622 12-3/8	12	G3/8	14	20	7	33.5	29	22	5

**Fittings Mod. 7652**

Double Banjo with O-Ring assembled.

DIMENSIONS

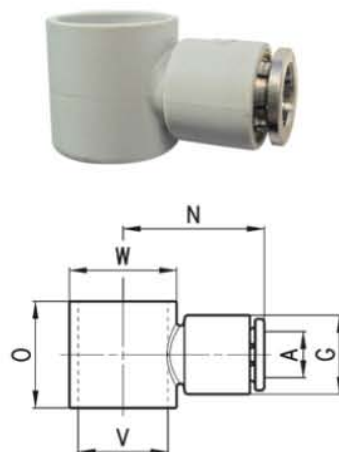
Mod.	OD mm										
	A	D	E	F	G	H	L	M	N	W	SW
7652 4-1/8	4	G1/8	10	22	11.5	5	24.5	10.7	21	14	4
7652 6-1/8	6	G1/8	10	22	11.5	5	24.5	10.7	21	14	4
7652 6-1/4	6	G1/4	11.5	26.5	11.5	6	28	12.7	24.5	18.5	5
7652 8-1/8	8	G1/8	10	26.5	13.5	5	24.5	12.7	22	14	4
7652 8-1/4	8	G1/4	11.5	26.5	13.5	6	28	12.7	24.5	18.5	5
7652 10-1/4	10	G1/4	11.5	31	16	6	28	15	26.5	18.5	5
7652 10-3/8	10	G3/8	11.5	31	16	7	29	15	26.5	18.5	5

**Fittings Mod. 7610**

Banjo

DIMENSIONS

Mod.	OD mm					
	A	G	N	O	V	W
7610 4-1/8	4	11.5	21	15.5	11	14
7610 6-1/8	6	11.5	21	15.5	11	14
7610 6-1/4	6	13.5	24.5	18.5	15.5	18.5
7610 8-1/8	8	13.5	22.5	15.5	11	14
7610 8-1/4	8	13.5	24.5	18.5	15.5	18.5
7610 10-1/4	10	16	27	18.5	15.5	18.5
7610 10-3/8	10	19.5	29	22	18	22
7610 12-3/8	12	19.5	29	22	18	22





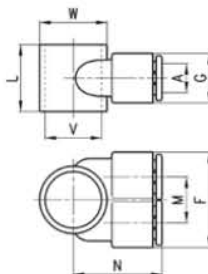
BSP/METRIC

2

FITTINGS & ACCESSORIES

Fittings Mod. 7640

Double Banjo

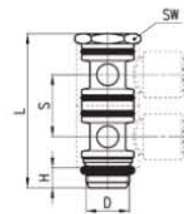


DIMENSIONS

Mod.	OD mm							
	A	F	G	L	M	N	V	W
7640 4-1/8	4	22	11.5	15.5	10.7	21	11	14
7640 6-1/8	6	22	11.5	15.5	10.7	21	11	14
7640 6-1/4	6	26.5	13.5	18.5	12.7	24.5	15.5	18.5
7640 8-1/8	8	26.5	13.5	15.5	12.7	22	11	14
7640 8-1/4	8	26.5	13.5	18.5	12.7	24.5	15.5	18.5
7640 10-1/4	10	31	16	18.5	15	26.5	15.5	18.5
7640 10-3/8	10	31	16	18.5	15	26.5	15.5	18.5

Fittings Mod. 7632 02

Double Stud Manifold

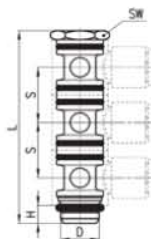


DIMENSIONS

Mod.	D	H	L	S	SW
7632 02-1/8	G1/8	5	38.5	15.5	13
7632 02-1/4	G1/4	6	46	18.5	17
7632 02-3/8	G3/8	7	54	22	20

Fittings Mod. 7632 03

Triple Stud Manifold

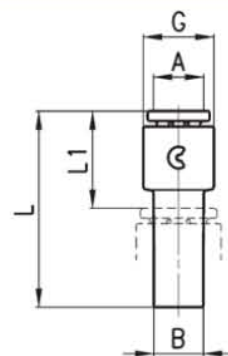


DIMENSIONS

Mod.	D	H	L	S	SW
7632 03-1/8	G1/8	5	54	15.5	13
7632 03-1/4	G1/4	6	64.5	18.5	17

Fittings Mod. 7800

Stem Reducer



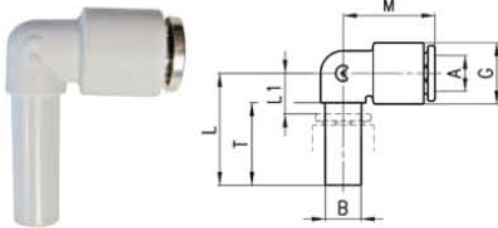
DIMENSIONS

Mod.	OD mm		G	L1	L
	A	B			
7800 4-6	4	6	9	14.5	29.5
7800 4-8	4	8	9	14.5	30.5
7800 6-8	6	8	11.5	15.5	31.5
7800 6-10	6	10	11.5	15.5	34
7800 6-12	6	12	11.5	16.5	35.5
7800 8-10	8	10	13.5	16.5	35
7800 8-12	8	12	13.5	17.5	37
7800 10-12	10	12	16	18.5	37.5

BSP/METRIC

Fittings Mod. 7555

Plug-In Elbow



DIMENSIONS

Mod.	OD mm		G	L	LI	M	T
	A	B					
7555 4-4	4	4	9	21	7	16.5	16.5
7555 6-6	6	6	11.5	23	8	18.5	17.5
7555 8-8	8	8	13.5	25	9	20.5	18.5
7555 10-10	10	10	16	28.5	10	24	21
7555 12-12	12	12	20	32	13	28	23

Fittings Mod. 7580

Union

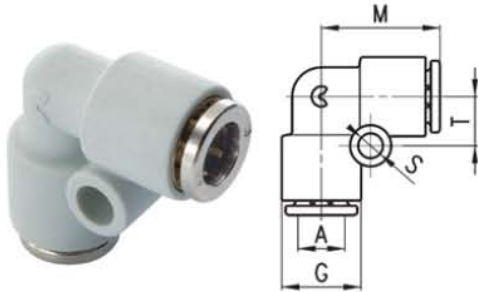


DIMENSIONS

Mod.	OD mm		
	A	G	L
7580 4	4	9	29
7580 6	6	11.5	31
7580 8	8	13.5	33.5
7580 10	10	16	38.5
7580 12	12	20	39.5

Fittings Mod. 7550

Union Elbow

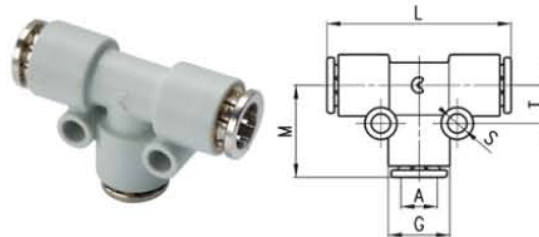


DIMENSIONS

Mod.	OD mm		L	M	S	T
	A	G				
7550 4	4	9	16.5	16.5	4	6.5
7550 6	6	11.5	18.5	18.5	4	7.5
7550 8	8	13.5	20.5	20.5	4	8.5
7550 10	10	16	24	24	4	8
7550 12	12	20	28	28	4	9.6
7550 16	16	27	33.5	33.5	-	-

Fittings Mod. 7540

Union Tee



DIMENSIONS

Mod.	OD mm			M	S	T
	A	G	L			
7540 4	4	9	33	16.5	4	6.5
7540 6	6	11.5	37	18.5	4	7.5
7540 8	8	13.5	41	20.5	4	8.5
7540 10	10	16	48	24	4	8
7540 12	12	20	56	28	4	9.6
7540 16	16	27	67	33.5	-	-



BSP/METRIC

2

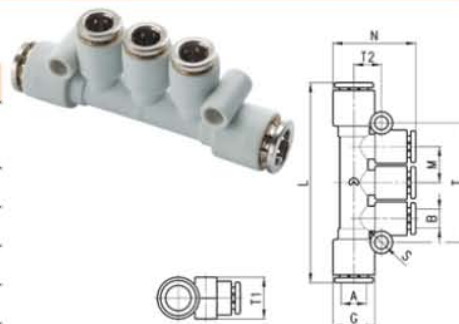
FITTINGS & ACCESSORIES

Fittings Mod. 7545

Multiple Tee Manifold

DIMENSIONS

	OD mm	OD mm								
Mod.	A	B	G	L	M	N	S	T	T1	T2
7545 6-4	6	4	11.5	55.5	9.6	23.5	4	32.5	11	7.5
7545 8-6	8	6	13.5	64	11.5	26.5	4	38.2	13.5	9
7545 10-8	10	8	16	78.5	14.1	30	4	45.8	16	10.5



Fittings Mod. 7560

Union Y

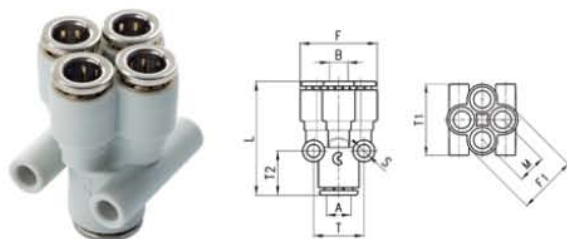
DIMENSIONS

	OD mm	OD mm								
Mod.	A	B	F	L	M	S	T	T1	T2	
7560 4	4	4	17	33	8.3	4	10.8	9	13	
7560 6	6	6	22	35	10.7	4	14.5	11	13.5	
7560 8	8	8	26	39.5	12.7	4	17	13.5	14.5	
7560 10	10	10	30.5	46	15	4	16.5	15.5	16.5	
7560 6-4	6	4	17	33.5	8.3	4	12.2	11	14.5	
7560 8-6	8	6	21	36	10.2	4	14.5	13.5	15.5	
7560 10-8	10	8	26	40	12.7	4	16.5	15.5	16	



Fittings Mod. 7575

Multiple Union Y

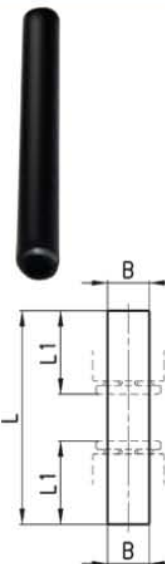


DIMENSIONS

	OD mm	OD mm								
Mod.	A	B	F	F1	L	M	S	T	T1	T2
7575 6-4	6	4	20.5	17	33.5	8.3	4	14.5	20.5	13.5
7575 8-6	8	6	25	21	37	10.2	4	16.5	25	14.5

Fittings Mod. 7950

Double Union Stem



DIMENSIONS

	OD mm		
Mod.	B	L	L1
7950 4	4	37	14
7950 6	6	39	15
7950 8	8	41	16
7950 10	10	44	18.5
7950 12	12	49	19