



BSP/METRIC

2

FITTINGS & ACCESSORIES

Nickel-Plated Brass Push-In Fittings - BSP/METRIC

Tube OD 3, 4, 5, 6, 8, 10, 12, 14 mm
Connections M3, M5, M7 [10-32 UNF],
1/8, 1/4, 3/8, 1/2 BSP
Reusable thread seal PTFE seal ring -
Teflon® - *Sprint*®

Sprint® fittings are designed to allow assembly with all female thread forms, BSP, GAS, "G" and "R" types. The new model is interchangeable with tapered thread fittings, both BSPT and BSPP. The special sealing method has a locking effect similar to that of other tapered threads. The sealing ring is made of PTFE (Teflon®), is not subject to wear, and can be used repeatedly. Nylon, aluminum and washers of other materials can be replaced, eliminating the need for a "spot face" and thus reducing the fitting size. Sealing is achieved on inclined, concave and convex surfaces.

Spot-Face O-Ring fittings are available in 32 different models. The sealing ring (O-ring) can be easily replaced if it is damaged or should the rubber compound from which it is made wear with time.

Micro fittings are constructed in 14 different models. The sealing ring (O-Ring) can be easily replaced if it is damaged or should the rubber compound from which it is made wear with time.

Connection and disconnection of the tube can be repeated several times and can be performed using one hand and without the use of tools.

For *Sprint*® Torque Specifications, see Page 6.

SPRINT AND SPOT-FACE O-RING TECHNICAL SPECIFICATIONS

Material	Brass OT58 UNI 5705 nickel-plated
Threads	GAS, conical/tapered (BSPT) GAS, cylindrical/parallel (BSP)
	M5, M6
Pressure	Min. -0.8, max. 16 bar (see tubes) (0 — 250 PSI)
Tube to connect	Rilsan Nylon® 6, 11, 12, Polyethylene, Polyurethane*
Diameters	4, 5, 6, 8, 10, 12, 14 mm OD
Fluid	compressed air (for other types of fluid, contact our engineers)
Temperature	-20°C to 80°C (-4°F - 175°F) (see data for tubing used)

* Recommended 90A durometer and above for PUR.



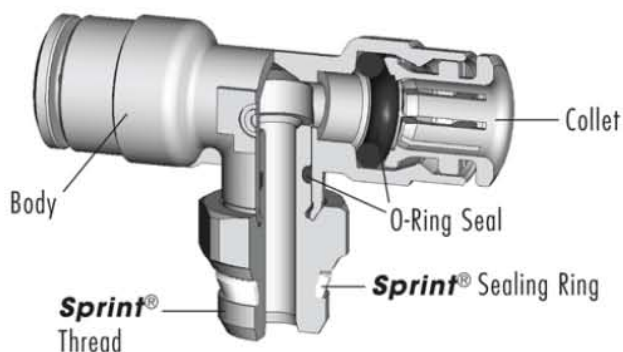
MICRO TECHNICAL SPECIFICATIONS

Material	body and collet: brass OT58 nickel-plated O-Ring NBR, sealings PTFE, NBR, Nylon®
Threads	M3 - M5 - M7 - G1/8
Pressure	min. -0.8 - max. 16 bar (see tubes)
Tube to connect	rilsan Nylon® 6 - 11 - 12 polyethylene polyurethane
Diameters	ø3 - 6 - 8
Fluid	compressed air (for other types of fluid, contact our engineers)
Temperature	-20°C - 80°C (see data for tubing used)

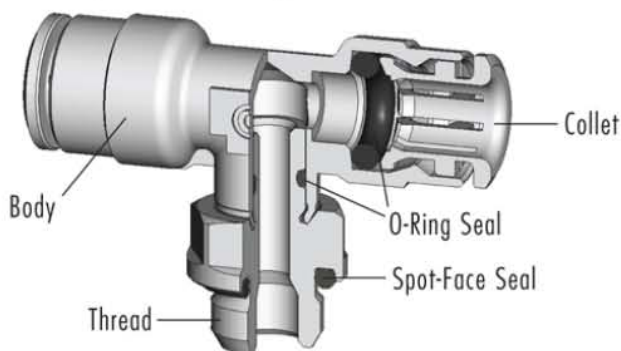


Nickel-Plated Brass Fittings: BSP Threads with **Sprint**[®] and Spot-Face O-Ring Seal

Sprint[®] Style BSP Thread



Spot-Face O-Ring BSP Thread



FEATURES

Collet

- Nickel-Plated, All-metal Collet and Release ring
- Collet design offers greater grip strength under higher pressure or tubing tension
- Collet release mechanism based on relaxed slope of grip teeth, as opposed to disengaging "bite-rings" from partially cut tubes
- Removable Collet and tube o-rings

Body

- All-Metal, Nickel-Plated body and Threads
- Compact Brass bodies from Brass forgings
- Standard Buna-N or Specialized O-ring choices for High-Temp, Low-Temp, Special Fluids, Food-Grade compatibility
- Broad Range of shapes and configurations
- Crimp design on Swivels maintains Full ID Flow path
- Swivels offer Mechanical crimping lock based on cold-forged brass and not spin-swaged or "thinned" brass
- Full ID Flow for Swivels and Straights, with high relief on larger sizes
- Internal Hex on Straight fittings

Sprint[®] Thread Design

- Low-profile fit
- Fast installation
- Perfect reusable seal

BENEFITS

Collet

- Won't break like plastic release rings and bodies; More Durable design
- Higher holding force, with easier release
- Won't scratch tubes like "bite-ring" designs
- Less chance of micro-leakage and bubble-leaks over time due to damaged tubing
- Higher pressures actually offer greater grip-strength with high-pressure Nylon tubing

Body

- Resistant to UV exposure
- Better resistance to stress-cracking, abrasion, solvents, detergents, hydrocarbons and other fluid media
- FDA/NSF approved materials, (Including customized Nickel-Plating and o-ring options)
- Simplified manifold circuits with broader variety of fitting combinations and shapes to select
- Lighter weight for End-of-Arm tooling & Robotic handling,
- Compact design reduces overall dimensions for valve assemblies, packaging applications and control cabinets
- 12% Reduction in overall Body size, compared to previous Brass line
- Full ID Flow and high relief undercuts offers greatest flow without restriction to circuit design flow calculations

Sprint[®] Thread Design

- Eliminates exposed threads and fits into tight spaces, making them ideal for food processing and hygienic applications.
- Eliminates the need for Teflon[®] tape or pipe dope. Shorter thread length requires fewer turns to tighten.
- The captured Teflon[®] sealing ring provides a dependable and reusable shoulder seal without the risk of thread sealant contamination.

FITTINGS & ACCESSORIES

BSP/METRIC



BSP/METRIC

2

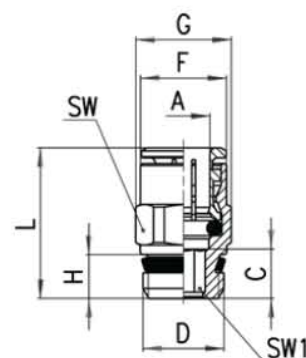
FITTINGS & ACCESSORIES

Fittings Mod. S6510...

Sprint® Male Connector

DIMENSIONS

Mod.	OD mm		C	F	G	H	L	SW	SW1
	A	D							
S6510 4-1/8	4	G1/8	3.8	8.8	13.2	5.5	18	12	2.5
S6510 4-1/4	4	G1/4	5.5	8.8	15.2	7	19.5	14	2.5
S6510 5-1/8	5	G1/8	3.8	9.8	13.2	5.5	19	12	3
S6510 5-1/4	5	G1/4	5.5	9.8	15.2	7	20	14	3
S6510 6-1/8	6	G1/8	6	11.7	13.2	5.5	22	12	4
S6510 6-1/4	6	G1/4	5.5	11.7	15.2	7	21	14	4
S6510 8-1/8	8	G1/8	7.5	13.7	15.2	5.5	25	14	5
S6510 8-1/4	8	G1/4	6.5	13.7	15.2	7	24	14	6
S6510 8-3/8	8	G3/8	6	13.7	20.5	8	23.5	19	6
S6510 10-1/4	10	G1/4	8.3	15.4	18.5	7	28.5	17	7
S6510 10-3/8	10	G3/8	5.3	15.4	20.5	8	25.5	19	8
S6510 10-1/2	10	G1/2	4.8	15.4	24.5	9	25	22	8
S6510 12-1/4	12	G1/4	10.3	18.3	20.5	7	29.5	19	7
S6510 12-3/8	12	G3/8	9.3	18.3	20.5	8	28.5	19	9
S6510 12-1/2	12	G1/2	5.8	18.3	24.5	9	25	22	10
S6510 14-3/8	14	G3/8	10.3	20.5	24.5	8	30.5	22	9
S6510 14-1/2	14	G1/2	6.3	20.5	24.5	9	26.5	22	12

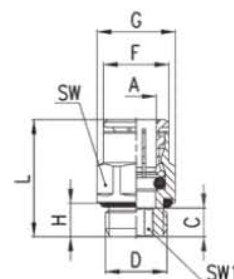


Fittings Mod. 6512...

Male Connector

DIMENSIONS

Mod.	OD mm		C	F	G	H	L	SW	SW1
	A	D							
6512 4-M5	4	M5	6	7.8	8.8	4	20	8	2
6512 4-M6	4	M6	6.5	8.8	9.9	4.5	20.5	9	2.5
6512 4-1/8	4	G1/8	5	8.8	13.5	6	19	12	2.5
6512 4-1/4	4	G1/4	6.5	8.8	16.4	7	20.5	15	2.5
6512 5-M5	5	M5	6	8.8	9.9	4	21	9	2
6512 6-M5	6	M5	6	11.7	13.2	4	22	12	2
6512 6-1/8	6	G1/8	5	11.7	13.5	6	21	12	4
6512 6-1/4	6	G1/4	6	11.7	16.4	7	22	15	4
6512 8-1/8	8	G1/8	8.5	13.7	15.2	6	26	14	5
6512 8-1/4	8	G1/4	7	13.7	16.4	7	24.5	15	6
6512 8-3/8	8	G3/8	6.5	13.7	20.5	8	24	19	6
6512 10-1/4	10	G1/4	9.8	15.4	18.5	7	30	17	7
6512 10-3/8	10	G3/8	5.3	15.4	20.5	8	25.5	19	8
6512 12-1/4	12	G1/4	10.3	18.3	20.5	7	29.5	19	7
6512 12-3/8	12	G3/8	5.8	18.3	20.5	8	25	19	9





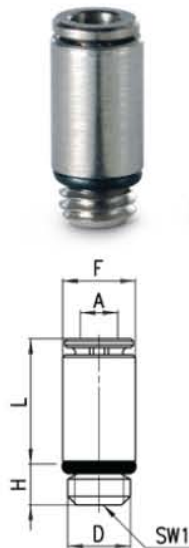
Fittings Mod. 6512...

Micro Fitting - Male Connector

DIMENSIONS

Mod.	OD mm		F	H	L	SW1	
	A	D					
6512 3-M3	3	M3	5.8	2.5	10.2	1.5	*
6512 3-M5	3	M5	5.8	3.5	10	2	•
6512 4-M7-M	4	M7	9.4	5	17.5	2.5	•
6512 4-1/8-M	4	G1/8	11.2	5	13	2.5	•
6512 6-M7-M	6	M7	10.4	5	17	4	•
6512 6-1/8-M	6	G1/8	11.2	5	14	4	•
6512 8-1/8-M	8	G1/8	12.4	5	18,5	5	•

* with Mod.2661 mount
• with O-Ring mount



Fittings Mod. S6520...

Sprint® Male Elbow Swivel

DIMENSIONS

Mod.	OD mm		C	E	F	H	M	SW	SW1
	A	D							
S6520 4-1/8	4	G1/8	3.5	14.5	9	5.5	17.5	8	12
S6520 4-1/4	4	G1/4	3.5	14.5	9	7	17.5	8	14
S6520 5-1/8	5	G1/8	6	14.5	11	5.5	21	9	12
S6520 5-1/4	5	G1/4	6	14.5	11	7	21	9	14
S6520 6-1/8	6	G1/8	4	15	12.7	5.5	20	9	12
S6520 6-1/4	6	G1/4	4	15	12.7	7	20	9	14
S6520 8-1/8	8	G1/8	5	16	14.2	5.5	22.5	11	12
S6520 8-1/4	8	G1/4	5	16	14.2	7	22.5	11	14
S6520 8-3/8	8	G3/8	5	16.5	14.2	8	22.5	11	19
S6520 10-1/4	10	G1/4	5.8	18.5	16.5	7	26	13	14
S6520 10-3/8	10	G3/8	5.8	19	16.5	8	26	13	19
S6520 10-1/2	10	G1/2	5.8	19.5	16.5	9	26	13	22
S6520 12-1/4	12	G1/4	7.3	20	19.5	7	26.5	15	17
S6520 12-3/8	12	G3/8	7.3	20	19.5	8	26.5	15	19
S6520 12-1/2	12	G1/2	7.3	20.5	19.5	9	26.5	15	22
S6520 14-3/8	14	G3/8	8.3	21	21.5	8	28.5	17	19
S6520 14-1/2	14	G1/2	8.3	21.5	21.5	9	28.5	17	22





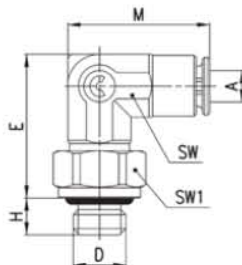
BSP/METRIC

2

FITTINGS & ACCESSORIES

Fittings Mod. 6522..

Micro Male Elbow Swivel



DIMENSIONS

Mod.	OD mm							SW	SW1	
	A	D	E	H	M					
6522 3-M3	3	M3	13.7	2.5	13.7	6	6	*		
6522 3-M5	3	M5	13.7	3.5	13.7	6	6	•		

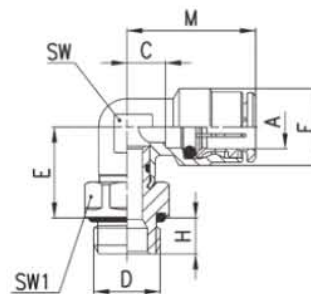
* with Mod.2661 mount
• with O-Ring mount

Fittings Mod. 6522...

Swivel Male Elbow

DIMENSIONS

Mod.	OD mm									
	A	D	C	E	F	H	M	SW	SW1	
6522 4-M5	4	M5	3.5	12.5	9	4	17.5	8	8	
6522 4-1/8	4	G1/8	3.5	14.5	9	6	17.5	8	12	
6522 4-1/4	4	G1/4	3.5	15.5	9	7	17.5	8	15	
6522 5-M5	5	M5	6	12.5	11	4	21	9	8	
6522 6-M5	6	M5	4	13	12.7	4	20	9	10	
6522 6-1/8	6	G1/8	4	15	12.7	6	20	9	12	
6522 6-1/4	6	G1/4	4	16	12.7	7	20	9	15	
6522 8-1/8	8	G1/8	5	16	14.2	6	22.5	11	12	
6522 8-1/4	8	G1/4	5	17	14.2	7	22.5	11	15	
6522 8-3/8	8	G3/8	5	17	14.2	8	22.5	11	19	
6522 10-1/4	10	G1/4	5.8	19.5	16.5	7	26	13	15	
6522 10-3/8	10	G3/8	5.8	19.5	16.5	8	26	13	19	
6522 12-1/4	12	G1/4	7.3	20	19.5	7	26.5	15	17	
6522 12-3/8	12	G3/8	7.3	20.5	19.5	8	26.5	15	19	

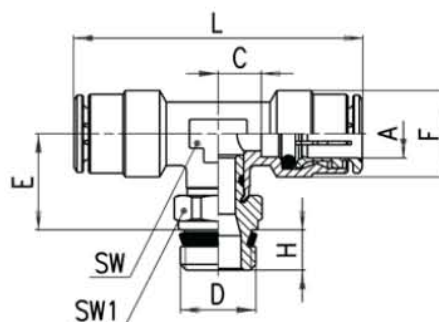


Fittings Mod. S6430...

Sprint® Male Branch Tee Swivel

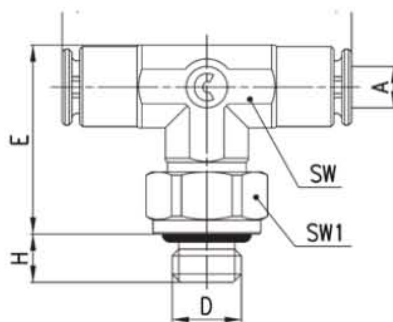
DIMENSIONS

Mod.	OD mm		C	E	F	H	L	SW	SW1
	A	D							
S6430 4-1/8	4	G1/8	3.5	14.5	9	5.5	35	8	12
S6430 5-1/8	5	G1/8	6	14.5	11	5.5	42	9	12
S6430 5-1/4	5	G1/4	6	14.5	11	7	42	9	14
S6430 6-1/8	6	G1/8	4	15	12.7	5.5	40	9	12
S6430 6-1/4	6	G1/4	4	15	12.7	7	40	9	14
S6430 8-1/8	8	G1/8	5	16	14.2	5.5	45	11	12
S6430 8-1/4	8	G1/4	5	16	14.2	7	45	11	14
S6430 8-3/8	8	G3/8	5	16.5	14.2	8	45	11	19
S6430 10-1/4	10	G1/4	5.8	18.5	16.5	7	52	13	14
S6430 10-3/8	10	G3/8	5.8	19	16.5	8	52	13	19
S6430 12-1/4	12	G1/4	7.3	20	19.5	7	53	15	17
S6430 12-3/8	12	G3/8	7.3	20	19.5	8	53	15	19
S6430 12-1/2	12	G1/2	7.3	20.5	19.5	9	53	15	22
S6430 14-1/2	14	G1/2	8.3	21.5	21.5	9	57	17	22



Fittings Mod. 6432

Micro Male Branch Tee Swivel



DIMENSIONS

Mod.	OD mm		E	H	L	SW	SW1
	A	D					
6432 3-M3	3	M3	13.7	2.5	21.4	6	6
6432 3-M5	3	M5	13.7	3.5	21.4	6	8



BSP/METRIC

2

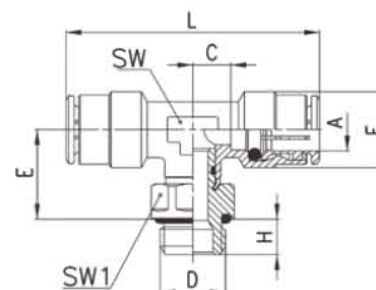
FITTINGS & ACCESSORIES

Fittings Mod. 6432...

Male Branch Tee Swivel

DIMENSIONS

Mod.	OD mm		C	E	F	H	L	SW	SW1
	A	D							
6432 4-M5	4	M5	3.5	12.5	9	4	35	8	8
6432 4-1/8	4	G1/8	3.5	14.5	9	6	35	8	12
6432 5-M5	5	M5	6	12.5	11	4	42	9	8
6432 6-1/8	6	G1/8	4	15	12.7	6	40	9	12
6432 6-1/4	6	G1/4	4	16	12.7	7	40	9	15
6432 8-1/8	8	G1/8	5	16	14.2	6	45	11	12
6432 8-1/4	8	G1/4	5	17	14.2	7	45	11	15
6432 8-3/8	8	G3/8	5	17	14.2	8	45	11	19
6432 10-1/4	10	G1/4	5.8	19.5	16.5	7	52	13	15
6432 10-3/8	10	G3/8	5.8	19.5	16.5	8	52	13	19
6432 12-1/4	12	G1/4	7.3	20	19.5	7	53	15	17
6432 12-3/8	12	G3/8	7.3	20.5	19.5	8	53	15	19

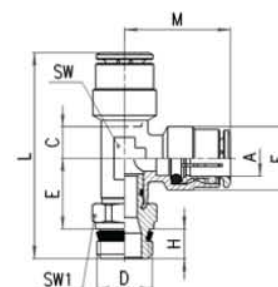


Fittings Mod. S6440...

Sprint® Male Run Tee Swivel

DIMENSIONS

Mod.	OD mm		C	E	F	H	L	M	SW	SW1
	A	D								
S6440 4-1/8	4	G1/8	3.5	14.5	9	5.5	37.5	17.5	8	12
S6440 5-1/8	5	G1/8	6	14.5	11	5.5	41	21	9	12
S6440 5-1/4	5	G1/4	6	14.5	11	7	42.5	21	9	14
S6440 6-1/8	6	G1/8	4	15	12.7	5.5	40.5	20	9	12
S6440 6-1/4	6	G1/4	4	15	12.7	7	42	20	9	14
S6440 8-1/8	8	G1/8	5	16	14.2	5.5	44	22.5	11	12
S6440 8-1/4	8	G1/4	5	16	14.2	7	45.5	22.5	11	14
S6440 8-3/8	8	G3/8	5	16.5	14.2	8	47	22.5	11	19
S6440 10-1/4	10	G1/4	5.8	18.5	16.5	7	51.5	26	13	14
S6440 10-3/8	10	G3/8	5.8	18.5	16.5	8	53	26	13	19
S6440 12-3/8	12	G3/8	7.3	19.5	19.5	8	54.5	26.5	15	19
S6440 14-1/2	14	G1/2	8.3	21.5	21.5	9	59	28.5	17	22



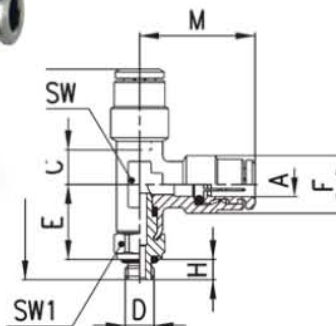
BSP/METRIC

Fittings Mod 6442...

Micro Male Run Tee Swivel

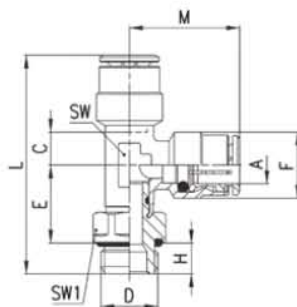
DIMENSIONS

Mod.	OD mm		E	H	L	M	SW	SW1	
	A	D							
6442 3-M3	3	M3	10.7	2.5	21.4	13.7	6	6	*
6442 3-M5	3	M5	12.2	3.5	21.4	13.7	6	8	o



Fittings Mod. 6442...

Swivel run tee



DIMENSIONS

Mod.	OD mm		C	E	F	H	L	M	SW	SW1
	A	D								
6442 4-M5	4	M5	3.5	12.5	9	4	34	17.5	8	8
6442 4-1/8	4	G1/8	3.5	14.5	9	6	38	17.5	8	12
6442 5-M5	5	M5	6	12.5	11	4	37	21	9	8
6442 6-1/8	6	G1/8	4	15	12.7	6	41	20	9	12
6442 6-1/4	6	G1/4	4	16	12.7	7	43	20	9	15
6442 8-1/8	8	G1/8	5	16	14.2	6	44.5	22.5	11	12
6442 8-1/4	8	G1/4	5	17	14.2	7	46.5	22.5	11	15
6442 8-3/8	8	G3/8	5	17	14.2	8	47.5	22.5	11	19
6442 10-1/4	10	G1/4	5.8	19.5	16.5	7	52.5	26	13	15
6442 10-3/8	10	G3/8	5.8	19.5	16.5	8	53.5	26	13	19
6442 12-1/4	12	G1/4	7.3	20	19.5	7	53.5	26.5	15	17
6442 12-3/8	12	G3/8	7.3	20.5	19.5	8	55	26.5	15	19



BSP/METRIC

2

BSP/METRIC

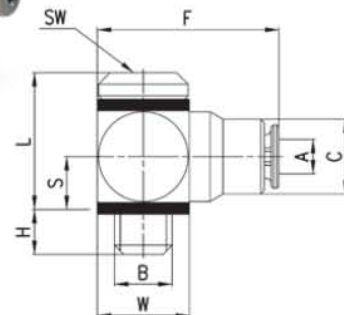
FITTINGS & ACCESSORIES

Fittings Mod. 6621...

Micro Banjo with Gasket Assembled.

DIMENSIONS

Mod.	OD mm									
	A	B	C	F	H	L	S	W	SW	
6621 3-M3	3	M3	5.8	14.2	2.5	9.3	3.5	6	1.5	
6621 3-M5	3	M5	6.5	16	3.2	11.9	4.8	8	2	

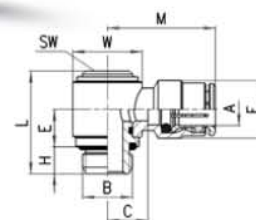


Fittings Mod. 6622...

Banjo with O-Ring Assembled

DIMENSIONS

Mod.	OD mm									
	A	B	C	E	F	H	L	M	W	SW
6622 4-M5	4	M5	4	5,7	8,6	4	15,8	18	∅8	2.5
6622 4-1/8	4	G1/8	7,5	10,2	9	5	25	21,5	∅14	4
6622 6-1/8	6	G1/8	8	10,2	12,7	5	25	24	∅14	4
6622 6-1/4	6	G1/4	10	9,1	12,7	6	25,3	26	∅18	5
6622 8-1/8	8	G1/8	8	10,2	14,2	5	25	25,5	∅14	4
6622 8-1/4	8	G1/4	10	9,1	14,2	6	25,3	27,5	∅18	5
6622 10-1/4	10	G1/4	8,8	9,1	16,5	6	25,3	29	∅18	5

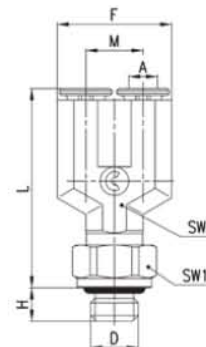


Fittings Mod. 6452...

Micro Swivel Y

DIMENSIONS

Mod.	OD mm								
	A	D	F	H	L	M	SW	SW1	
6452 3-M3	3	M3	12	2.5	20.9	6	6	6	•
6452 3-M5	3	M5	12	3.5	20.9	6	6	8	•





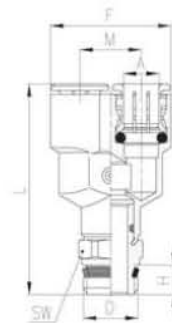
Fittings Mod. 6451 and Mod. S6450...

Sprint® Male "Y" Swivel

DIMENSIONS

Mod.	OD mm		F	H	M	L	SW
	A	D					
*6451 4-M5	4	M5	18	4	9	26.5	-
*6451 6-M5	6	M5	24.5	4	12.5	29.5	-
S6450 4-1/8	4	G1/8	18	5.5	9	38	12
S6450 6-1/8	6	G1/8	24.5	5.5	12.5	41.5	12
S6450 8-1/8	8	G1/8	28.5	5.5	14.5	48.5	14
S6450 8-1/4	8	G1/4	28.5	7	14.5	50	14

* Gasket assembled, non-swivel



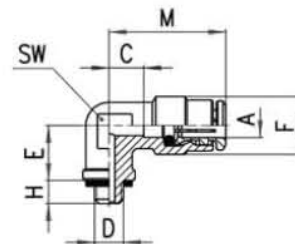
Fitting Mod. 6501

Male Elbow Non-Swivel

DIMENSIONS

Mod.	OD mm		C	E	F	H	M	SW
	A	D						
6501 4-M5	4	M5	3.5	6	9	4	17.5	8

with Mod. 2661 assembled



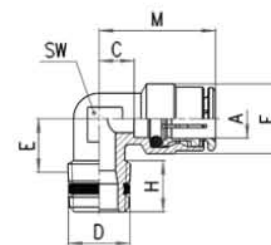


Fittings Mod. S6500...

Sprint® Male Elbow Non-Swivel Male

DIMENSIONS

Mod.	OD mm		C	E	F	H	M	SW
	A	D						
S6500 4-1/8	4	R1/8	3.5	8.5	9	7.5	17.5	8
S6500 4-1/4	4	R1/4	5	11.5	9	12	19	9
S6500 5-1/8	5	R1/8	6	8.5	11	7.5	21	9
S6500 5-1/4	5	R1/4	6	10.5	11	11	21	9
S6500 6-1/8	6	R1/8	4	9	12.7	7.5	20	9
S6500 6-1/4	6	R1/4	4	11.5	12.7	12	20	9
S6500 8-1/8	8	R1/8	5	10.5	14.2	6.5	22.5	11
S6500 8-1/4	8	R1/4	5	11.5	14.2	12.5	22.5	11
S6500 8-3/8	8	R3/8	7	13	14.2	11.5	24.5	12
S6500 10-1/4	10	R1/4	5.8	13	16.5	11.5	26	13
S6500 10-3/8	10	R3/8	5.8	13	16.5	12	26	13
S6500 12-1/4	12	R1/4	7.3	14.5	19.5	11	26.5	15
S6500 12-3/8	12	R3/8	7.3	13.5	19.5	11.5	26.5	15

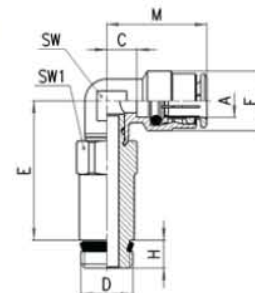


Fittings Mod. 6525...

Sprint® Extended Male Elbow Swivel

DIMENSIONS

Mod.	OD mm		C	E	F	H	M	SW	SW1
	A	D							
6525 6-1/8	6	G1/8	4	33.8	12.7	5.5	20	9	12
6525 6-1/4	6	G1/4	4	34	12.7	7	20	9	14
6525 8-1/8	8	G1/8	5	34.8	14.2	5.5	22.5	11	12
6525 8-1/4	8	G1/4	5	35	14.2	7	22.5	11	14

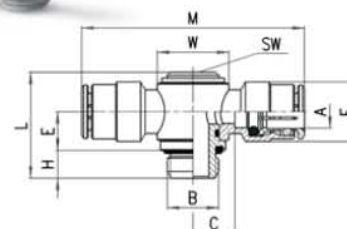


Fittings Mod. 6632...

Double Banjo with O-Ring Assembled

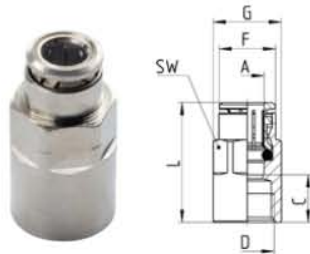
DIMENSIONS

Mod.	OD mm		C	E	F	H	L	M	W	SW
	A	B								
6632 4-1/8	4	G1/8	7.5	10.2	9	5	25	43	14	4
6632 6-1/8	6	G1/8	8	10.2	12.7	5	25	48	14	4
6632 6-1/4	6	G1/4	10	9.1	12.7	6	25.3	52	18	5
6632 8-1/8	8	G1/8	8	10.2	14.2	5	25	51	14	4
6632 8-1/4	8	G1/4	10	9.1	14.2	6	25.3	55	18	5
6632 10-1/4	10	G1/4	8.8	9.1	16.5	6	25.3	58	18	5



Fittings Mod. 6463...

Female Connector



DIMENSIONS

Mod.	OD mm						
	A	D	C	F	G	L	SW
6463 4-M5	4	M5	6.5	7.8	8.8	20.5	8
6463 4-1/8	4	G1/8	10	9	13	24	12
6463 5-1/8	5	G1/8	10	9.8	13	25	12
6463 6-1/8	6	G1/8	10	11.7	13	26	12
6463 6-1/4	6	G1/4	11.5	11.9	16.5	27.5	15
6463 8-1/8	8	G1/8	9.5	13.7	15.2	27	14
6463 8-1/4	8	G1/4	11.5	13.7	16.5	29	15
6463 10-1/4	10	G1/4	11.3	15.4	18.5	31.5	17

Fitting Mod. 6580 3

Micro Union

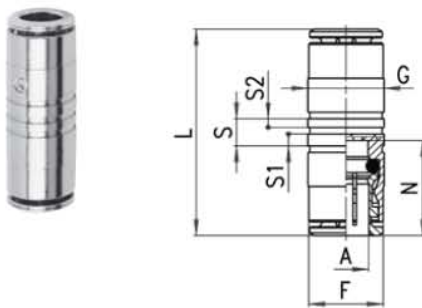


DIMENSIONS

Mod.	OD mm			
	A	G	L	S
6580 3	3	5.8	19.9	2.2

Fittings Mod. 6580...

Union

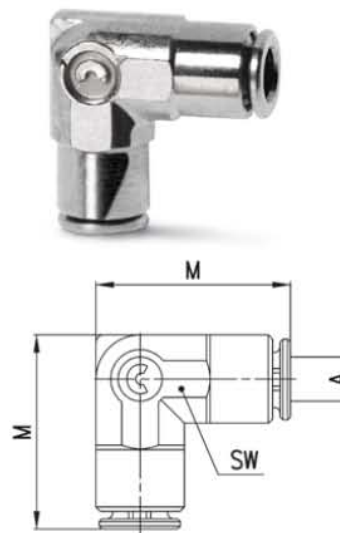


DIMENSIONS

Mod.	OD mm							
	A	F	G	L	N	S	S1	S2
6580 4	4	8.4	9	29	14	5	2.2	1.6
6580 5	5	9.8	11	31	15	5	2.2	1.6
6580 6	6	11.7	12	34	16	5	2.2	1.6
6580 8	8	13.7	14	37	17.5	5	2.2	1.6
6580 10	10	15.4	17	41.5	20.2	5	2.2	1.6
6580 12	12	18.3	19	39.5	19.2	5.2	2.2	1.6
6580 14	14	20.5	21	41.5	20.2	5.2	2.2	1.6

Fitting Mod. 6550 3

Micro Union Elbow



DIMENSIONS

Mod.	OD mm		
	A	M	SW
6550 3	3	13.7	6



BSP/METRIC

2

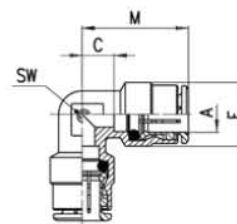
FITTINGS & ACCESSORIES

Fittings Mod. 6550...

Union Elbow

DIMENSIONS

	OD mm				
Mod.	A	C	F	M	SW
6550 4	4	3.5	9	17.5	8
6550 5	5	6	11	21	9
6550 6	6	4	12.7	20	9
6550 8	8	5	14.2	22.5	11
6550 10	10	5.8	16.5	26	13
6550 12	12	7.3	19.5	26.5	15
6550 14	14	8.3	21.5	28.5	17

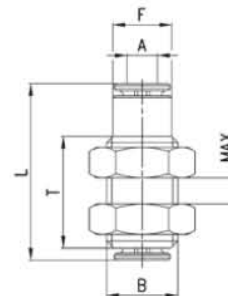


Fitting Mod. 6590 3

Micro Bulkhead Union

DIMENSIONS

	OD mm					
Mod.	A	B	F	L	MAX	T
6590 3	3	M7 x 0.75	5.8	18.4	5	11.4

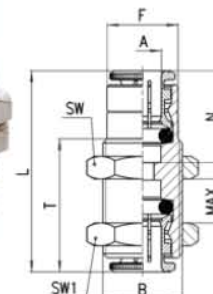


Fittings Mod. 6590...

Bulkhead Union

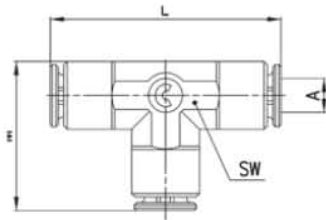
DIMENSIONS

	OD mm								
Mod.	A	B	F	L	N	MAX	SW	SW1	T
6590 4	4	M10X1	8.8	29	14	10.5	14	14	20
6590 5	5	M12X1	9.8	31	15	10.5	17	17	20
6590 6	6	M14X1	12.5	33	16	10.5	17	17	20
6590 8	8	M16X1	14.5	36	17.5	11.5	19	19	21
6590 10	10	M18X1	16.3	41.5	20.2	13	22	22	23.5
6590 12	12	M20X1	18.8	39.5	19.2	14.5	24	24	25
6590 14	14	M22X1	20.5	41.5	20.2	17.5	27	27	30



Fitting Mod. 6540 3

Micro Union Tee

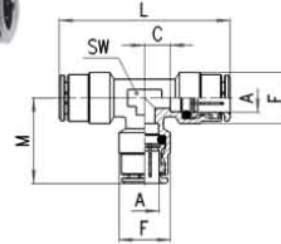


DIMENSIONS

Mod.	OD mm			
	A	L	M	SW
6540 3	3	21.4	13.7	6

Fittings Mod. 6540...

Union Tee

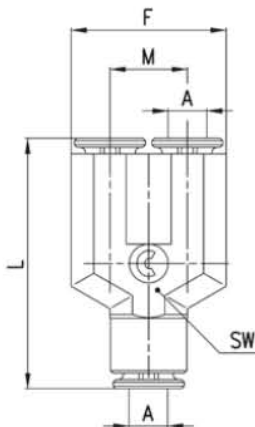


DIMENSIONS

Mod.	OD mm					
	A	C	F	L	M	SW
6540 4	4	3.5	9	35	17.5	8
6540 5	5	6	11	42	21	9
6540 6	6	4	12.7	40	20	9
6540 8	8	5	14.2	45	22.5	11
6540 10	10	5.8	16.5	52	26	13
6540 12	12	7.3	19.5	53	26.5	15
6540 14	14	8.3	21.5	57	28.5	17

Fitting Mod. 6560 3

Micro Union "Y"

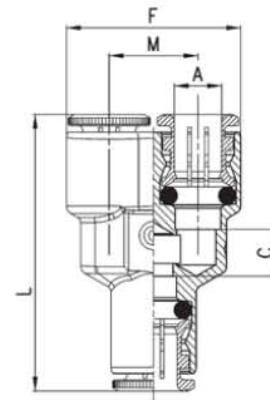


DIMENSIONS

Mod.	OD mm				
	A	F	L	M	SW
6560 3	3	12	20.4	6	6

Fittings Mod. 6560...

Union "Y"



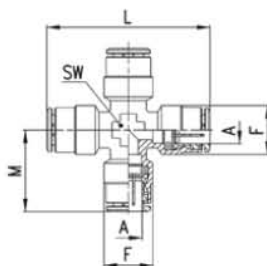
DIMENSIONS

Mod.	OD mm				
	A	C	F	L	M
6560-4	4	5	18	33	9
6560-6	6	7	24.5	39	12.5
6560-8	8	9	28.5	44	14.5
6560-10	10	15.5	32	53.5	16



Fittings Mod. 6600...

Tube Cross

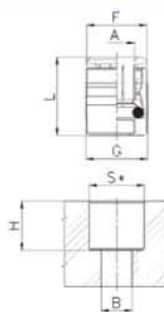


DIMENSIONS

Mod.	OD mm				
	A	F	L	M	SW
6600 4	4	9	38	19	9
6600 5	5	11	42	21	9
6600 6	6	12.7	44	22	10
6600 8	8	14.2	49	24.5	12
6600 10	10	16.5	55	27.5	14
6600 12	12	19.5	56	28	16

Fittings Mod. 6700...

Cartridge



DIMENSIONS

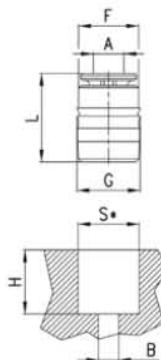
Mod.	OD mm							
	A	F	G	L	Size	S	H	B
6700 4	4	8.6	9	14.5	4	8.75	11	3.5
6700 5	5	9.6	10	15.5	5	9.75	11.5	3.5
6700 6	6	11.8	12.2	16.5	6	11.95	12	4
6700 8	8	13.8	14.2	18	8	13.95	14	6
6700 10	10	15.8	16.2	20.5	10	15.95	15	8

* Synthetic Seat +0.03/- 0.02
 * Metallic Seat +0.05/0

* Hole tolerances: +0.002-0.000 (in.)
 * For plastic (non-metal) manifolds, reduce all hole dimensions "S" by 0.02 mm (0.001 in.)
 * INSTALLATION: Drill or bore hole per specifications per size of cartridge (dimensions H and S).
 * Smooth or ream hole dimensions to hole tolerances.
 * Simply press fit cartridge into hole with an evenly distributed force over the top surface.
 * Removal of the collet ring is not necessary.
 * Cartridge fittings are useful for installations in various manifolds and/or distribution blocks when drilling and tapping are not desirable.

Fitting Mod. 6700 3

Micro Cartridge



*Metallic seat +0.05/0 *Synthetic seat +0.03/- 0.02

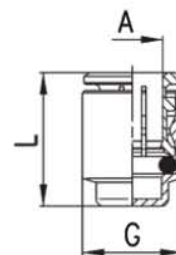
DIMENSIONS

Mod.	OD mm						
	A	F	G	H	L	S	B
6700 3	3	5.9	6.2	6.3	9.2	6	2

* Hole tolerances: +0.002-0.000 (in.)
 * For plastic (non-metal) manifolds, reduce all hole dimensions "S" by 0.02 mm (0.001 in.)
 * INSTALLATION: Drill or bore hole per specifications per size of cartridge (dimensions H and S).
 * Smooth or ream hole dimensions to hole tolerances.
 * Simply press fit cartridge into hole with an evenly distributed force over the top surface.
 * Removal of the collet ring is not necessary.
 * Cartridge fittings are useful for installations in various manifolds and/or distribution blocks when drilling and tapping are not desirable.

Fittings Mod. 6750...

Tube Cap



DIMENSIONS

Mod.	OD mm		
	A	G	L
6750 4	4	8.8	15
6750 6	6	11.8	17
6750 8	8	13.8	18.5
6750 10	10	15.8	21
6750 12	12	17.8	20



Fitting Mod. 6800

Micro Reducer

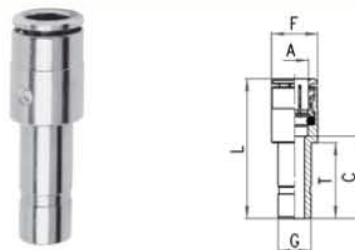


DIMENSIONS

Mod.	OD mm		OD mm		
	A	F	G	L	T
6800 3-4	3	5.8	4	26	16.5

Fittings Mod. 6800...

Reducer

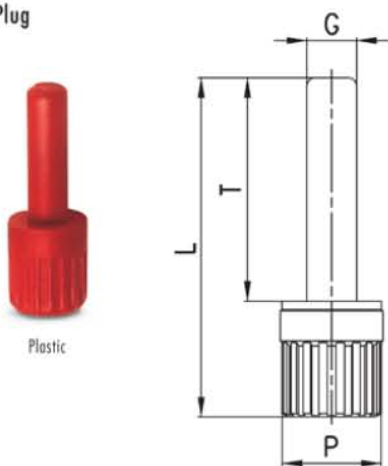


DIMENSIONS

Mod.	OD mm		OD mm			
	A	G	C	F	L	T
6800 4-5	4	5	19	9	33	18
6800 4-6	4	6	15.5	9	29.5	18
6800 4-8	4	8	18	9	32	20.5
6800 5-6	5	6	19	10	34	18
6800 5-8	5	8	18	10	33	20.5
6800 6-8	6	8	18	12.7	34	20.5
6800 6-10	6	10	20.5	12.7	36.5	23
6800 6-12	6	12	17.5	12.7	33.5	24
6800 8-10	8	10	20.5	14	38	23
6800 8-12	8	12	21.5	14	39	24
6800 10-12	10	12	20.3	16.5	40.5	24
6800 10-14	10	14	24.3	16.5	44.5	28
6800 12-14	12	14	24.3	18.8	45.5	28

Fitting Mod. 6900

Micro Plug



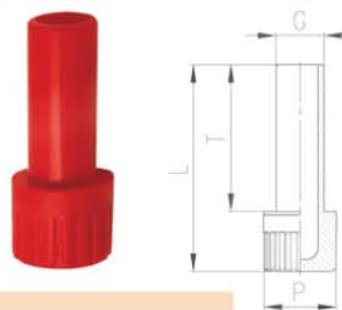
Plastic

DIMENSIONS

Mod.	OD mm		OD mm	
	G	L	P	T
6900 3	3	20.5	6	13.5

Fittings Mod. 6900...

Plug (Plastic)



DIMENSIONS

Mod.	OD mm		OD mm	
	G	L	P	T
6900 4	4	29	8	20
6900 5	5	29.5	8	20.5
6900 6	6	31.5	8	22.5
6900 8	8	34.5	12	24.5
6900 10	10	37	12	27
6900 12	12	40.5	16	28.5
6900 14	14	42.5	16	30.5



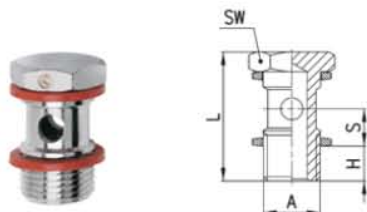
BSP/METRIC

2

FITTINGS & ACCESSORIES

Fittings Mod. 1631-01...

Stud Manifold

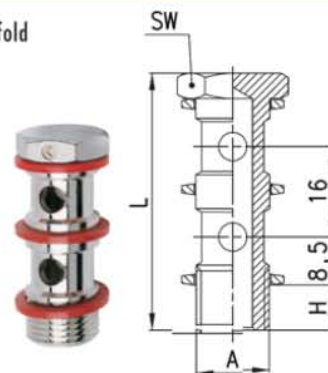


DIMENSIONS

Mod.	OD mm				
	A	H	L	S	SW
	UNF				
1631 01-M5	M5	4	18	5.5	8
	BSPP				
1631 01-1/8	1/8	.6	27	8.5	14
1631 01-1/4	1/4	8	29.5	8.5	17
1631 01-3/8	3/8	8	30	8.5	19
1631 01-1/2	G12	9	31	8.5	27

Fitting Mod. 1631-02...

Stud Manifold



DIMENSIONS

Mod.	OD mm			
	A	H	L	SW
	BSPP			
1631 02-1/8	1/8	6	43	14
1631 02-1/4	1/4	8	45.5	17
1631 02-3/8	3/8	8	46	19

Fittings Mod. 1631-03...

Stud Manifold

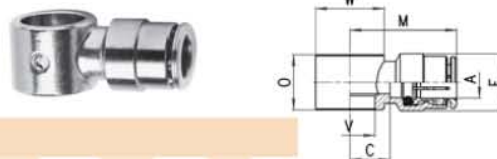


DIMENSIONS

Mod.	OD mm			
	A	H	L	SW
	BSPP			
1631 03-1/8	1/8	6	59	14
1631 03-1/4	1/4	6	61.5	17
1631 03-3/8	3/8	8	62	19

Fittings Mod. 6610...

Banjo



DIMENSIONS

Mod.	OD mm						
	A	C	F	M	O	V	W
6610 4-M5	4	5	9	19	9	5.1	9
6610 4-M6	4	5	9	19	9	5.1	9 •
6610 4-1/8	4	7.5	9	21.5	14.5	9.8	14
6610 5-M5	5	5	10	20	9	5.1	9
6610 5-M6	5	5	10	20	9	5.1	9 •
6610 5-1/8	5	8.5	11	23.5	14.5	9.8	14
6610 6-M5	6	6.5	12.7	22.5	9	5.1	10
6610 6-M6	6	6.5	12.7	22.5	9	5.1	10 •
6610 6-1/8	6	8	12.7	24	14.5	9.8	14
6610 6-1/4	6	10	12.7	26	14.5	13.2	18
6610 8-1/8	8	8	14.2	25.5	14.5	9.8	14
6610 8-1/4	8	10	14.2	27.5	14.5	13.2	18
6610 8-3/8	8	11	14.2	28.5	14.5	16.7	21
6610 10-1/4	10	8.8	16.5	29	14.5	13.2	18 *
6610 10-3/8	10	10.3	16.5	30.5	14.5	16.7	21 *
6610 12-1/2	12	12.8	19.5	32	14.5	21	26 *

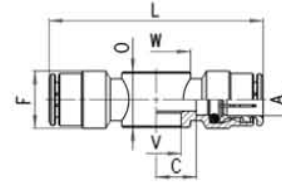
• Assembly possible only with Mod. SCU, SCO, SVU... M5
* Assembly required with Mod. 1635

Fittings Mod. 6620...

Double Banjo

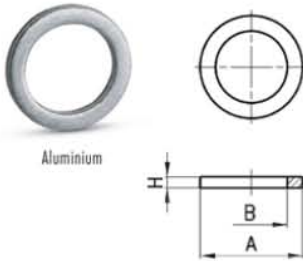
DIMENSIONS

Mod.	OD mm						
	A	C	F	L	O	V	W
6620 4-M5	4	5	9	38	9	5.1	9
6620 4-1/8	4	7.5	9	43	14.5	9.8	14
6620 6-1/8	6	8	12.7	48	14.5	9.8	14
6620 6-1/4	6	10	12.7	52	14.5	13.2	18
6620 8-1/8	8	8	14.2	51	14.5	9.8	14
6620 8-1/4	8	10	14.2	55	14.5	13.2	18



• Assembly possible only with Mod. SCU, SCO, SVU... M5
* Assembly required with Mod. 1635

Washer Mod. 2651

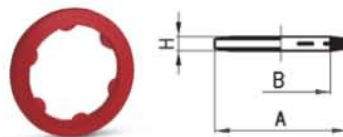


Aluminium

DIMENSIONS

Mod.	A	B	H
2651 1/8	14	9.8	1.5
2651 1/4	18	13.2	1.5
2651 3/8	22	16.7	1.5
2651 1/2	26	20.9	1.5

Washer Mod. 2661



DIMENSIONS

Mod.	A	B	H
2661 M3	4.9	2.8	0.7
2661 M5	8	5.2	1
2661 M6	9	6.2	1
2661 1/8	14	10.2	1.9
2661 1/4	18	13.5	1.9
2661 3/8	21	16.5	2.1
2661 1/2	26	21.2	1.9

Washer Mod. 2665



DIMENSIONS

Mod.	A	B	H
2665 1/8	14	9.8	5
2665 1/4	18	13.2	5
2665 3/8	21	16.8	5
2665 1/2	26	21.1	5

Example assembly of stud manifold with various banjos





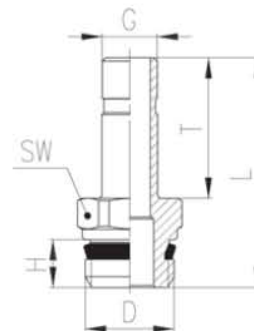
Fittings Mod. 6811...

Sprint® Stem Adapter

DIMENSIONS

Mod.	OD mm		H	T	L	SW
	G	D				
*6811-4-M5	4	M5	4	16.5	24.5	8
6811-4-1/8	4	G1/8	5.5	16.5	27.8	12
6811-5-1/8	5	G1/8	5.5	18	29.3	12
6811-5-1/4	5	G1/4	7	18	31	14
6811-6-1/8	6	G1/8	5.5	18	29.3	12
6811-6-1/4	6	G1/4	7	18	31	14
6811-8-1/8	8	G1/8	5.5	20.5	31.8	12
6811-8-1/4	8	G1/4	7	20.5	33.5	14
6811-10-1/4	10	G1/4	7	23	36	14
6811-10-3/8	10	G3/8	8	23	37.3	19
6811-12-3/8	12	G3/8	8	24	38.3	19
6811-14-3/8	14	G3/8	8	28	42.3	19
6811-14-1/2	14	G1/2	9	28	44	22

* with O-ring assembled

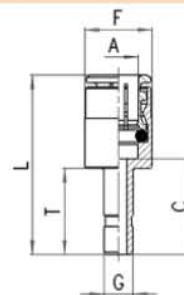


Fittings Mod. 6850...

Expander

DIMENSIONS

Mod.	OD mm		C	F	L	T
	A	G				
6850-6-4	6	4	17.5	12.7	33.5	16.5
6850-8-6	8	6	19	14	36.5	18

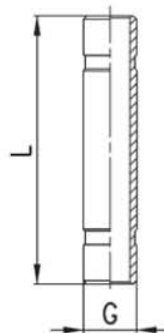


Fittings Mod. 6950...

Double Union

DIMENSIONS

Mod.	OD mm	
	G	L
6950-4	4	32.5
6950-6	6	35.5
6950-8	8	40.5
6950-10	10	46
6950-12	12	48
6950-14	14	52

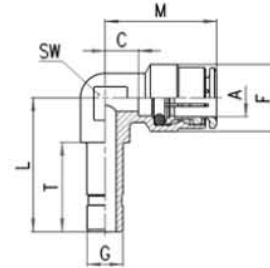


Fittings Mod. 6555...

Stem Elbow

DIMENSIONS

Mod.	OD mm		C	L	F	T	M	SW
	A	G						
6555 4-4	4	4	3.5	22	9	16.5	17.5	8
6555 6-6	6	6	4	24.5	12.7	18	20	9
6555 8-8	8	8	5	27.5	14.2	20	22.5	11
6555 10-10	10	10	5.8	32	16.5	23	26	13

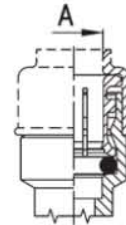
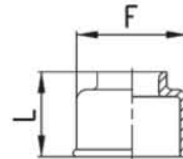


Fittings Mod. 6708...

Dust Cap

DIMENSIONS

Mod.	OD mm		
	A	F	L
6708 4	* 4 mm or 5/32"	10.7	10.7
6708 5	5	11.7	11
6708 6	* 6 mm or 1/4"	13.7	11.5
6708 8	* 8 mm or 5/16"	15.7	12.5
6708 10	* 10 mm or 3/8"	18.5	13
6708 12	* 12 mm or 1/2"	20.7	15
6708 12	* 12 mm or 1/2"	23.7	15



Self-extinguishing material black color, class V0

"Hybrid" Torque Specifications - (Sprint - BSP Fittings assembled into female NPTF ports)

Caution: Mating material and female ports may be too soft for high torque values. Check material hardness to avoid stripping, galling or cross-threading. This table is ONLY a guide for "hybrid" situations that require interchanging thread types to accommodate tubing requirements.

Thread Size	Minimum Torque Value		Maximum Torque Value	
	Nm	Ft-Lbs	Nm	Ft-Lbs
1/8" *	1.0	0.7	10.0	7.4
1/4" *	4.0	2.9	20.0	14.8
3/8"	27.0	20.0	54.0	40.0
1/2"	27.0	20.0	67.0	50.0

* - NOTE: Value is the same as standard value for equal thread types, (BSP to BSP)