



NPTF/INCH

1

FITTINGS &amp; ACCESSORIES

## Nickel-Plated Brass Push-In Fittings - NPTF/INCH

Tube Connections: External OD 1/8", 5/32", 1/4", 5/16", 3/8", 1/2"

Thread Connections 10-32 UNF, 1/8", 1/4", 3/8", 1/2" NPTF

Reusable thread seal, PTFE seal ring (Teflon®) - **Pro-Fit®**

**Standard NPTF** - Camozzi's all metal fittings are 100% electroless nickel-plated brass. Full ID tube flow is always maintained for maximum Cv ratings and quick cycle times. "Push-in" and lock the tube quickly and effortlessly.

**Pro-Fit®** thread design allows assembly with all female thread NPT forms. The new model is interchangeable with tapered thread fittings. The special sealing method has a locking effect similar to that of the taper model. Since the sealing ring is made of PTFE (Teflon®), it is not subject to wear and can be used repeatedly. Thread tape and thread sealants of other materials can be replaced, eliminating the need for full-length NPTF thread, thus reducing the fitting size. Sealing is achieved on inclined, concave and convex surfaces.

Fittings also available in coated thread sealant, Loctite Vibra-Seal 516

Connection and disconnection of the tube can be repeated several times and can be performed using one hand and without the use of tools.



### Pro-Fit®/Sprint® TORQUE SPECIFICATIONS

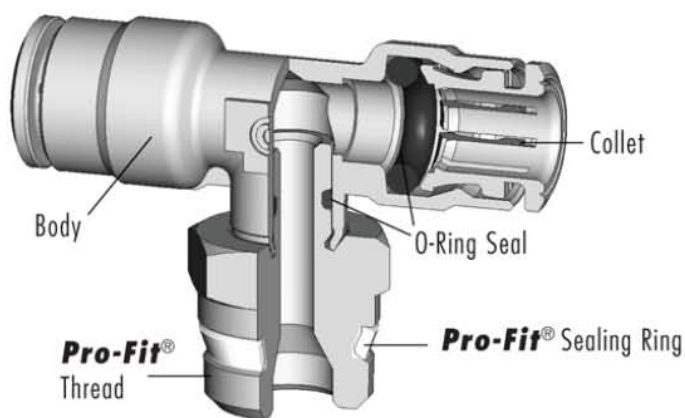
Thread Size	Minimum Torque		Maximum Torque	
	N-m	lb-ft	N-m	lb-ft
M5 (10-32 UNF)	0.200	0.148	2.000	1.475
1/8 NPTF or BSP	1.000	0.738	10.000	7.376
1/4 NPTF or BSP	4.000	2.950	20.000	14.751
3/8 NPTF or BSP	5.000	3.688	20.000	14.751
1/2 NPTF or BSP	8.000	5.900	40.000	29.502

### TECHNICAL SPECIFICATIONS

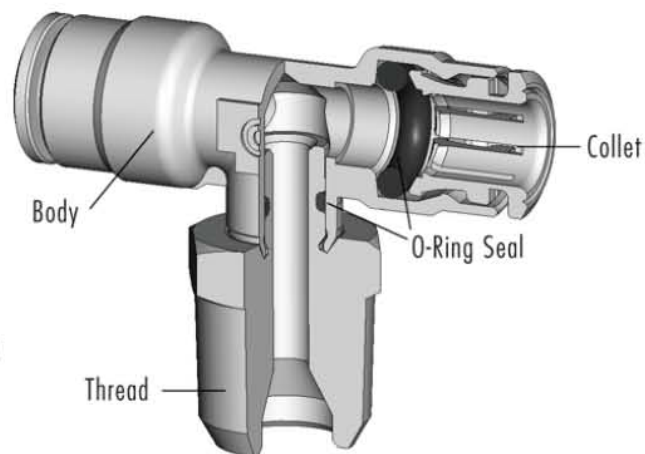
Material	Brass OT58 UNI 5705, nickel plated, PTFE seal ring (Teflon®), Vibra-Seal 516 (Loctite)
*Collet	Brass OT58 UNI 5705, nickel plated
*O-ring	Buna-N [Viton® available], Epdm available
Threads	10-32 UNF, 1/8", 1/4", 3/8", 1/2" NPTF
Operating pressure	From 0 - 250 psi
Vacuum rating	29" of Mercury Hg
Tube to connect	Nylon® 6, 11, 12; Polyethylene, Polyurethane (recommended 90A durometer and above)
*Tube diameter	1/8", 5/32", 1/4", 5/16", 3/8", 1/2"
Fluid	Compressed air
	(for other types of fluid please contact our engineers)
Operating temperature	-4°F - 175°F

## Nickel-Plated Brass Fittings: **Pro-Fit®**, Standard NPTF & Coated Threads

**Pro-Fit® Style NPTF Thread**



**Standard NPTF & NPTF Coated Thread**



### FEATURES

#### Collet

- Nickel-Plated, All-metal Collet and Release ring
- Collet design offers greater grip strength under higher pressure or tubing tension
- Collet release mechanism based on relaxed slope of grip teeth, as opposed to disengaging "bite-rings" from partially cut tubes
- Removable Collet and tube o-rings

#### Body

- All-Metal, Nickel-Plated body and Threads
- Compact Brass bodies from Brass forgings
- Standard Buna-N or Specialized O-ring choices for High-Temp, Low-Temp, Special Fluids, Food-Grade compatibility
- Broad Range of shapes and configurations
- Crimp design on Swivels maintains Full ID Flow path
- Swivels offer Mechanical crimping lock based on cold-forged brass and not spin-swaged or "thinned" brass
- Full ID Flow for Swivels and Straights, with high relief on larger sizes
- Internal Hex on Straight fittings

#### Pro-Fit® Thread Design

- Low Profile Fit
- Fast Installation
- Perfect Reusable Seal

### BENEFITS

#### Collet

- Won't break like plastic release rings and bodies; More Durable design
- Higher holding force, with easier release
- Won't scratch tubes like "bite-ring" designs
- Less chance of micro-leakage and bubble-leaks over time due to damaged tubing
- Higher pressures actually offer greater grip-strength with high-pressure Nylon tubing

#### Body

- Resistant to UV exposure
- Better resistance to stress-cracking, abrasion, solvents, detergents, hydrocarbons and other fluid media
- FDA/NSF approved materials, ( Including customized Nickel-Plating and o-ring options)
- Simplified manifold circuits with broader variety of fitting combinations and shapes to select
- Lighter weight for End-of-Arm tooling & Robotic handling,
- Compact design reduces overall dimensions for valve assemblies, packaging applications and control cabinets
- 12% Reduction in overall Body size, compared to previous Brass line
- Full ID Flow and high relief undercuts offers greatest flow without restriction to circuit design flow calculations

#### Pro-Fit® Thread Design

- Eliminates exposed threads and fits into tight spaces, making them ideal for food processing and hygienic applications.
- Eliminates the need for Teflon® tape or pipe dope. Shorter thread length requires fewer turns to tighten.
- The captured Teflon® sealing ring provides a dependable and reusable shoulder seal without the risk of thread sealant contamination.



NPTF/INCH

1

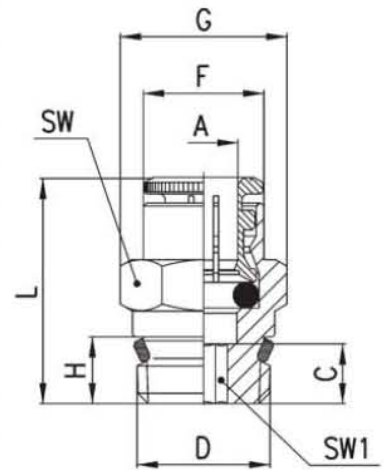
FITTINGS & ACCESSORIES

Fittings Mod. P6510...

**Pro-Fit®** Male Connector

DIMENSIONS

Mod.	OD A	NPTF THREAD D	C	F	G	H	L	SW	SW1
P6510 02-02	1/8	1/8	0.177	0.346	0.551	0.197	0.728	0.472	0.098
P6510 02-04	1/8	1/4	0.256	0.346	0.630	0.256	0.807	0.551	0.098
P6510 53-02	5/32	1/8	0.177	0.346	0.551	0.197	0.728	0.472	0.098
P6510 53-04	5/32	1/4	0.256	0.346	0.630	0.256	0.807	0.551	0.098
P6510 04-02	1/4	1/8	0.189	0.461	0.551	0.197	0.827	0.472	0.157
P6510 04-04	1/4	1/4	0.228	0.461	0.630	0.256	0.866	0.551	0.157
P6510 04-06	1/4	3/8	0.268	0.461	0.866	0.295	0.906	0.748	0.157
P6510 05-02	5/16	1/8	0.276	0.539	0.630	0.197	0.965	0.551	0.197
P6510 05-04	5/16	1/4	0.276	0.539	0.630	0.256	0.965	0.551	0.236
P6510 05-06	5/16	3/8	0.256	0.539	0.866	0.295	0.945	0.748	0.236
P6510 06-02	3/8	1/8	0.315	0.606	0.776	0.197	1.102	0.669	0.197
P6510 06-04	3/8	1/4	0.335	0.606	0.776	0.256	1.122	0.669	0.276
P6510 06-06	3/8	3/8	0.177	0.606	0.866	0.295	0.965	0.748	0.276
P6510 06-08	3/8	1/2	0.217	0.606	1.004	0.335	1.004	0.866	0.276
P6510 08-04	1/2	1/4	0.346	0.720	0.866	0.256	1.102	0.748	0.276
P6510 08-06	1/2	3/8	0.346	0.720	0.866	0.295	1.102	0.748	0.394
P6510 08-08	1/2	1/2	0.248	0.720	1.004	0.335	1.004	0.866	0.394



Fittings Mod. 6512 and Mod. 6510...

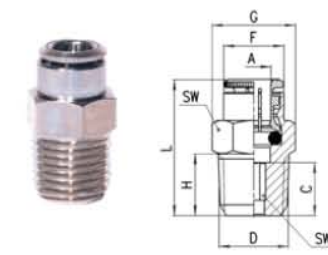
Male Connector

DIMENSIONS

Mod.	OD A	THREAD D	C	F	G	H	L	SW	SW1
<b>UNF</b>									
6512 02-32	1/8	10-32	0.236	0.307	0.363	0.157	0.787	0.315	0.078
6512 53-32	5/32	10-32	0.236	0.307	0.363	0.157	0.787	0.315	0.078
6512 04-32	1/4	10-32	0.228	0.460	0.577	0.157	0.846	0.472	0.078
<b>NPTF</b>									
6510 02-02	1/8	1/8	0.197	0.346	0.551	0.315	0.748	0.472	0.098
6510 02-04	1/8	1/4	0.354	0.346	0.630	0.472	0.906	0.551	0.098
6510 53-02	5/32	1/8	0.197	0.346	0.551	0.315	0.748	0.472	0.098
6510 53-04	5/32	1/4	0.354	0.346	0.630	0.472	0.906	0.551	0.098
6510 04-02	1/4	1/8	0.287	0.461	0.551	0.315	0.925	0.472	0.157
6510 04-04	1/4	1/4	0.406	0.461	0.630	0.472	1.043	0.551	0.157
6510 04-06	1/4	3/8	0.425	0.461	0.866	0.472	1.063	0.748	0.157
6510 05-02	5/16	1/8	0.394	0.539	0.630	0.315	1.083	0.551	0.197
6510 05-04	5/16	1/4	0.413	0.539	0.630	0.472	1.102	0.551	0.236
6510 05-06	5/16	3/8	0.413	0.539	0.866	0.472	1.102	0.748	0.236
6510 06-02	3/8	1/8	0.394	0.606	0.776	0.315	1.181	0.669	0.157
6510 06-04	3/8	1/4	0.551	0.606	0.776	0.472	1.339	0.669	0.276
6510 06-06	3/8	3/8	0.354	0.606	0.866	0.472	1.142	0.748	0.276
6510 06-08	3/8	1/2	0.374	0.606	1.004	0.610	1.161	0.866	0.276
6510 08-04	1/2	1/4	0.563	0.720	0.866	0.472	1.299	0.748	0.276
6510 08-06	1/2	3/8	0.484	0.720	0.866	0.472	1.240	0.748	0.394
6510 08-08	1/2	1/2	0.425	0.720	1.004	0.610	1.181	0.866	0.394



6512



6510

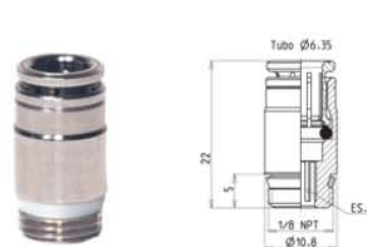
Micro Fitting Mod. 6512



Part Number: 6512 04-M7-M

**NEW**

Micro Fitting Mod. P6510



Part Number: P6510 04-02-M

**NEW**



NPTF/INCH

1

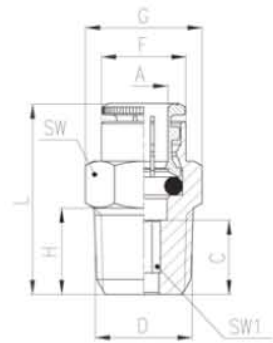
FITTINGS & ACCESSORIES

Fittings Mod. C6510...

Male Connector with Coated Threads

DIMENSIONS

Mod.	OD A	THREAD D	C	F	G	H	L	SW	SW1
<b>NPTF</b>									
C6510 02-04	1/8	1/4	0.354	0.346	0.630	0.472	0.906	0.551	0.098
C6510 53-02	5/32	1/8	0.197	0.346	0.551	0.315	0.748	0.472	0.098
C6510 53-04	5/32	1/4	0.354	0.346	0.630	0.472	0.906	0.551	0.098
C6510 04-02	1/4	1/8	0.287	0.461	0.551	0.315	0.925	0.472	0.157
C6510 04-04	1/4	1/4	0.406	0.461	0.630	0.472	1.043	0.551	0.157
C6510 04-06	1/4	3/8	0.425	0.461	0.866	0.472	1.063	0.748	0.157
C6510 05-02	5/16	1/8	0.394	0.539	0.630	0.315	1.083	0.551	0.197
C6510 05-04	5/16	1/4	0.413	0.539	0.630	0.472	1.102	0.551	0.236
C6510 05-06	5/16	3/8	0.413	0.539	0.866	0.472	1.102	0.748	0.236
C6510 06-02	3/8	1/8	0.394	0.606	0.776	0.315	1.181	0.669	0.157
C6510 06-04	3/8	1/4	0.551	0.606	0.776	0.472	1.339	0.669	0.276
C6510 06-06	3/8	3/8	0.354	0.606	0.866	0.472	1.142	0.748	0.276
C6510 06-08	3/8	1/2	0.374	0.606	1.004	0.610	1.161	0.866	0.276
C6510 08-04	1/2	1/4	0.563	0.720	0.866	0.472	1.299	0.748	0.276
C6510 08-06	1/2	3/8	0.484	0.720	0.866	0.472	1.240	0.748	0.394
C6510 08-08	1/2	1/2	0.425	0.720	1.004	0.610	1.181	0.866	0.394

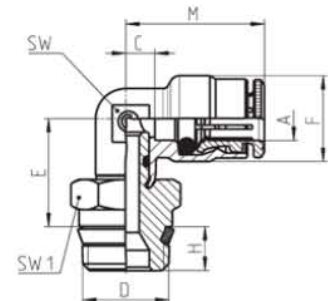


Fittings Mod. P6520...

**Pro-Fit®** Male Elbow Swivel

DIMENSIONS

Mod.	OD A	NPTF THREAD D	C	E	F	H	M	SW	SW1
P6520 02-02	1/8	1/8	0.138	0.591	0.354	0.197	0.689	0.315	0.472
P6520 02-04	1/8	1/4	0.138	0.630	0.354	0.256	0.689	0.315	0.551
P6520 53-02	5/32	1/8	0.138	0.591	0.354	0.197	0.689	0.315	0.472
P6520 53-04	5/32	1/4	0.138	0.630	0.354	0.256	0.689	0.315	0.551
P6520 04-02	1/4	1/8	0.157	0.630	0.500	0.197	0.787	0.354	0.472
P6520 04-04	1/4	1/4	0.157	0.650	0.500	0.256	0.787	0.354	0.551
P6520 04-06	1/4	3/8	0.157	0.650	0.500	0.295	0.787	0.354	0.748
P6520 05-02	5/16	1/8	0.197	0.650	0.559	0.197	0.886	0.433	0.472
P6520 05-04	5/16	1/4	0.197	0.689	0.559	0.256	0.886	0.433	0.551
P6520 05-06	5/16	3/8	0.197	0.689	0.559	0.295	0.886	0.433	0.748
P6520 06-02	3/8	1/8	0.256	0.748	0.650	0.197	1.043	0.512	0.551
P6520 06-04	3/8	1/4	0.236	0.768	0.650	0.256	1.024	0.512	0.551
P6520 06-06	3/8	3/8	0.236	0.768	0.650	0.295	1.024	0.512	0.748
P6520 06-08	3/8	1/2	0.236	0.787	0.650	0.335	1.024	0.512	0.866
P6520 08-04	1/2	1/4	0.280	0.807	0.768	0.256	1.043	0.591	0.669
P6520 08-06	1/2	3/8	0.280	0.807	0.768	0.295	1.043	0.591	0.748
P6520 08-08	1/2	1/2	0.315	0.827	0.768	0.335	1.043	0.591	0.866



Fittings Mod. 6522 and Mod. 6520...

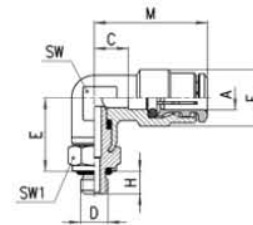
Male Elbow Swivel

DIMENSIONS

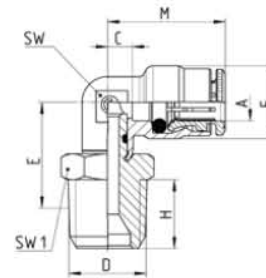
Mod.	OD A	NPTF THREAD UNF D	C	E	F	H	M	SW	SW1
<b>6522 02-32</b>	1/8	10-32	0.138	0.492	0.354	0.157	0.689	0.315	0.315
<b>6522 53-32</b>	5/32	10-32	0.138	0.492	0.354	0.157	0.689	0.315	0.315
<b>6522 04-32</b>	1/4	10-32	0.157	0.531	0.500	0.157	0.787	0.354	0.394
<b>NPTF</b>									
<b>6520 02-02</b>	1/8	1/8	0.138	0.650	0.354	0.315	0.689	0.315	0.472
<b>6520 02-04</b>	1/8	1/4	0.138	0.689	0.354	0.472	0.689	0.315	0.551
<b>6520 53-02</b>	5/32	1/8	0.138	0.650	0.354	0.315	0.689	0.315	0.472
<b>6520 53-04</b>	5/32	1/4	0.138	0.689	0.354	0.472	0.689	0.315	0.551
<b>6520 04-02</b>	1/4	1/8	0.157	0.669	0.500	0.315	0.787	0.354	0.472
<b>6520 04-04</b>	1/4	1/4	0.157	0.709	0.500	0.472	0.787	0.354	0.551
<b>6520 04-06</b>	1/4	3/8	0.157	0.689	0.500	0.472	0.787	0.354	0.748
<b>6520 05-02</b>	5/16	1/8	0.197	0.709	0.559	0.315	0.886	0.433	0.472
<b>6520 05-04</b>	5/16	1/4	0.197	0.748	0.559	0.472	0.886	0.433	0.551
<b>6520 05-06</b>	5/16	3/8	0.197	0.728	0.559	0.472	0.886	0.433	0.748
<b>6520 06-02</b>	3/8	1/8	0.256	0.807	0.650	0.315	1.043	0.512	0.551
<b>6520 06-04</b>	3/8	1/4	0.236	0.846	0.650	0.472	1.024	0.512	0.551
<b>6520 06-06</b>	3/8	3/8	0.236	0.827	0.650	0.472	1.024	0.512	0.748
<b>6520 06-08</b>	3/8	1/2	0.236	0.906	0.650	0.610	1.024	0.512	0.866
<b>6520 08-04</b>	1/2	1/4	0.280	0.906	0.768	0.472	1.043	0.591	0.669
<b>6520 08-06</b>	1/2	3/8	0.280	0.866	0.768	0.472	1.043	0.591	0.748
<b>6520 08-08</b>	1/2	1/2	0.280	0.945	0.768	0.610	1.043	0.591	0.866



6522



6520





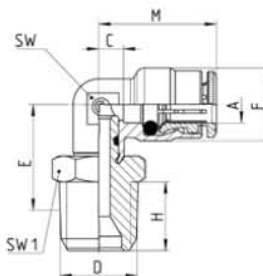
NPTF/INCH

1

FITTINGS & ACCESSORIES

Fittings Mod. C6520...

Male Elbow Swivel with Coated Threads



DIMENSIONS

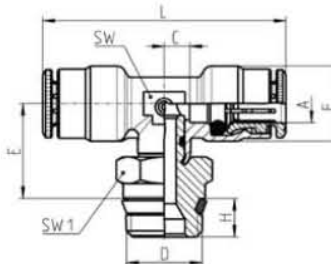
Mod.	OD A	NPTF THREAD D	C	E	F	H	M	SW	SW1
C6520 02-02	1/8	1/8	0.138	0.650	0.354	0.315	0.689	0.315	0.472
C6520 02-04	1/8	1/4	0.138	0.689	0.354	0.472	0.689	0.315	0.551
C6520 53-02	5/32	1/8	0.138	0.650	0.354	0.315	0.689	0.315	0.472
C6520 53-04	5/32	1/4	0.138	0.689	0.354	0.472	0.689	0.315	0.551
C6520 04-02	1/4	1/8	0.157	0.669	0.500	0.315	0.787	0.354	0.472
C6520 04-04	1/4	1/4	0.157	0.709	0.500	0.472	0.787	0.354	0.551
C6520 04-06	1/4	3/8	0.157	0.689	0.500	0.472	0.787	0.354	0.748
C6520 05-02	5/16	1/8	0.197	0.709	0.559	0.315	0.886	0.433	0.472
C6520 05-04	5/16	1/4	0.197	0.748	0.559	0.472	0.886	0.433	0.551
C6520 05-06	5/16	3/8	0.197	0.728	0.559	0.472	0.886	0.433	0.748
C6520 06-02	3/8	1/8	0.256	0.807	0.650	0.315	1.043	0.512	0.551
C6520 06-04	3/8	1/4	0.236	0.846	0.650	0.472	1.024	0.512	0.551
C6520 06-06	3/8	3/8	0.236	0.827	0.650	0.472	1.024	0.512	0.748
C6520 06-08	3/8	1/2	0.236	0.906	0.650	0.610	1.024	0.512	0.866
C6520 08-04	1/2	1/4	0.280	0.906	0.768	0.472	1.043	0.591	0.669
C6520 08-06	1/2	3/8	0.280	0.866	0.768	0.472	1.043	0.591	0.748
C6520 08-08	1/2	1/2	0.280	0.945	0.768	0.610	1.043	0.591	0.866

Fittings Mod. P6430...

**Pro-Fit®** Male Branch Tee Swivel

DIMENSIONS

Mod.	OD A	NPTF THREAD D	C	E	F	H	L	SW	SW1
P6430 02-02	1/8	1/8	0.138	0.591	0.354	0.197	1.378	0.315	0.472
P6430 53-02	5/32	1/8	0.138	0.591	0.354	0.197	1.378	0.315	0.472
P6430 53-04	5/32	1/4	0.138	0.630	0.354	0.256	1.378	0.315	0.551
P6430 04-02	1/4	1/8	0.157	0.630	0.500	0.197	1.575	0.354	0.472
P6430 04-04	1/4	1/4	0.157	0.650	0.500	0.256	1.575	0.354	0.551
P6430 04-06	1/4	3/8	0.157	0.650	0.500	0.295	1.575	0.354	0.748
P6430 06-04	3/8	1/4	0.236	0.768	0.650	0.256	2.047	0.512	0.551
P6430 06-06	3/8	3/8	0.236	0.768	0.650	0.295	2.047	0.512	0.748
P6430 06-08	3/8	1/2	0.256	0.787	0.650	0.335	2.087	0.512	0.866
P6430 08-04	1/2	1/4	0.280	0.807	0.768	0.256	2.087	0.591	0.669
P6430 08-06	1/2	3/8	0.280	0.807	0.768	0.295	2.087	0.591	0.748
P6430 08-08	1/2	1/2	0.280	0.827	0.768	0.335	2.087	0.591	0.866



Fittings Mod. 6432 and Mod. 6430...

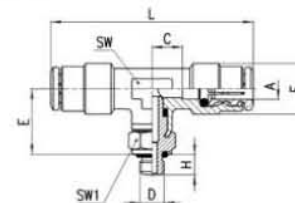
Male Branch Tee Swivel

DIMENSIONS

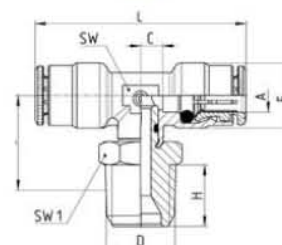
Mod.	OD A	THREAD D	C	E	F	H	L	SW	SW1
<b>UNF</b>									
6432 02-32	1/8	10-32	0.138	0.492	0.354	0.157	1.378	0.315	0.315
6432 53-32	5/32	10-32	0.138	0.492	0.354	0.157	1.378	0.315	0.315
<b>NPTF</b>									
6430 02-02	1/8	1/8	0.138	0.650	-	0.315	1.378	0.315	0.472
6430 53-02	5/32	1/8	0.138	0.650	-	0.315	1.378	0.315	0.472
6430 53-04	5/32	1/4	0.138	0.689	-	0.472	1.378	0.315	0.551
6430 04-02	1/4	1/8	0.157	0.669	0.500	0.315	1.575	0.354	0.472
6430 04-04	1/4	1/4	0.157	0.709	0.500	0.472	1.575	0.354	0.551
6430 04-06	1/4	3/8	0.157	0.689	0.500	0.472	1.575	0.354	0.748
6430 06-04	3/8	1/4	0.236	0.846	-	0.472	2.047	0.512	0.551
6430 06-06	3/8	3/8	0.236	0.827	-	0.472	2.047	0.512	0.748
6430 06-08	3/8	1/2	0.256	0.906	-	0.610	2.087	0.512	0.866
6430 08-04	1/2	1/4	0.280	0.906	0.768	0.472	2.087	0.591	0.669
6430 08-06	1/2	3/8	0.280	0.866	0.768	0.472	2.087	0.591	0.748
6430 08-08	1/2	1/2	0.280	0.945	0.768	0.610	2.087	0.591	0.866



6432



6430





NPTF/INCH

1

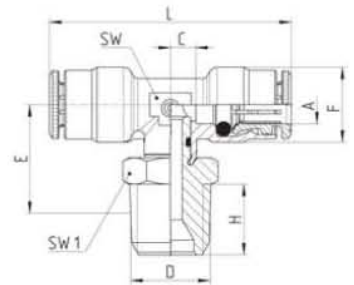
FITTINGS & ACCESSORIES

**Fittings Mod. C6430...**

**"T" Male Branch Tee with Coated Threads**

**DIMENSIONS**

Mod.	OD A	THREAD D	C	E	F	H	L	SW	SW1
C6430 02-02	1/8	1/8	0.138	0.650	-	0.315	1.378	0.315	0.472
C6430 53-02	5/32	1/8	0.138	0.650	-	0.315	1.378	0.315	0.472
C6430 53-04	5/32	1/4	0.138	0.689	-	0.472	1.378	0.315	0.551
C6430 04-02	1/4	1/8	0.157	0.669	0.500	0.315	1.575	0.354	0.472
C6430 04-04	1/4	1/4	0.157	0.709	0.500	0.472	1.575	0.354	0.551
C6430 04-06	1/4	3/8	0.157	0.689	0.500	0.472	1.575	0.354	0.748
C6430 06-04	3/8	1/4	0.236	0.846	-	0.472	2.047	0.512	0.551
C6430 06-06	3/8	3/8	0.236	0.827	-	0.472	2.047	0.512	0.748
C6430 06-08	3/8	1/2	0.256	0.906	-	0.610	2.087	0.512	0.866
C6430 08-04	1/2	1/4	0.280	0.906	0.768	0.472	2.087	0.591	0.669
C6430 08-06	1/2	3/8	0.280	0.866	0.768	0.472	2.087	0.591	0.748
C6430 08-08	1/2	1/2	0.280	0.945	0.768	0.610	2.087	0.591	0.866

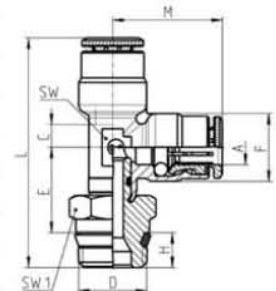


**Fittings Mod. P6440...**

**Pro-Fit® Male Run Tee Swivel**

**DIMENSIONS**

Mod.	OD A	NPTF THREAD D	C	E	F	H	L	M	SW	SW1
P6440 53-02	5/32	1/8	0.138	0.591	0.354	0.197	1.476	0.689	0.315	0.472
P6440 53-04	5/32	1/4	0.138	0.630	0.354	0.256	1.575	0.689	0.315	0.551
P6440 04-02	1/4	1/8	0.157	0.630	0.500	0.197	1.614	0.787	0.354	0.472
P6440 04-04	1/4	1/4	0.157	0.650	0.500	0.256	1.693	0.787	0.354	0.551
P6440 04-06	1/4	3/8	0.157	0.650	0.500	0.295	1.732	0.787	0.354	0.748
P6440 06-04	3/8	1/4	0.256	0.768	0.650	0.256	2.067	1.024	0.512	0.551
P6440 06-06	3/8	3/8	0.256	0.768	0.650	0.295	2.106	1.024	0.512	0.748
P6440 06-08	3/8	1/2	0.256	0.787	0.650	0.335	2.165	1.043	0.512	0.866
P6440 08-04	1/2	1/4	0.315	0.807	0.768	0.256	2.106	1.043	0.591	0.669
P6440 08-06	1/2	3/8	0.315	0.807	0.768	0.295	2.146	1.043	0.591	0.748
P6440 08-08	1/2	1/2	0.315	0.827	0.768	0.335	2.205	1.043	0.591	0.866



Fittings Mod. 6442 and Mod. 6440...

Male Run Tee Swivel

DIMENSIONS

Mod.	OD A	THREAD D	C	E	F	H	L	M	SW	SW1
<b>UNF</b>										
6442 02-32	1/8	10-32	0.138	0.492	0.354	0.157	1.339	0.689	0.315	0.315
6442 53-32	5/32	10-32	0.138	0.492	0.354	0.157	1.339	0.689	0.315	0.315
<b>NPTF</b>										
6440 02-02	1/8	1/8	0.138	0.650	0.354	0.315	1.535	0.689	0.315	0.472
6440 53-02	5/32	1/8	0.138	0.650	0.354	0.315	1.535	0.689	0.315	0.472
6440 53-04	5/32	1/4	0.138	0.689	0.354	0.472	1.634	0.689	0.315	0.551
6440 04-02	1/4	1/8	0.157	0.669	0.500	0.315	1.654	0.787	0.354	0.472
6440 04-04	1/4	1/4	0.157	0.709	0.500	0.472	1.752	0.787	0.354	0.551
6440 04-06	1/4	3/8	0.157	0.689	0.500	0.472	1.772	0.787	0.354	0.748
6440 06-04	3/8	1/4	0.236	0.846	0.650	0.472	2.146	1.024	0.512	0.551
6440 06-06	3/8	3/8	0.236	0.827	0.650	0.472	2.165	1.024	0.512	0.748
6440 06-08	3/8	1/2	0.256	0.906	0.650	0.610	2.283	1.043	0.512	0.866
6440 08-04	1/2	1/4	0.315	0.906	0.768	0.472	2.205	1.043	0.591	0.669
6440 08-06	1/2	3/8	0.280	0.866	0.768	0.472	2.205	1.043	0.591	0.748
6440 08-08	1/2	1/2	0.315	0.945	0.768	0.610	2.323	1.043	0.591	0.866



Fittings Mod. C6440...

Male Run Tee Swivel with Coated Threads

DIMENSIONS

Mod.	OD A	THREAD D	C	E	F	H	L	M	SW	SW1
<b>NPTF</b>										
C6440 02-02	1/8	1/8	0.138	0.650	0.354	0.315	1.535	0.689	0.315	0.472
C6440 53-02	5/32	1/8	0.138	0.650	0.354	0.315	1.535	0.689	0.315	0.472
C6440 53-04	5/32	1/4	0.138	0.689	0.354	0.472	1.634	0.689	0.315	0.551
C6440 04-02	1/4	1/8	0.157	0.669	0.500	0.315	1.654	0.787	0.354	0.472
C6440 04-04	1/4	1/4	0.157	0.709	0.500	0.472	1.752	0.787	0.354	0.551
C6440 04-06	1/4	3/8	0.157	0.689	0.500	0.472	1.772	0.787	0.354	0.748
C6440 06-04	3/8	1/4	0.236	0.846	0.650	0.472	2.146	1.024	0.512	0.551
C6440 06-06	3/8	3/8	0.236	0.827	0.650	0.472	2.165	1.024	0.512	0.748
C6440 06-08	3/8	1/2	0.256	0.906	0.650	0.610	2.283	1.043	0.512	0.866
C6440 08-04	1/2	1/4	0.315	0.906	0.768	0.472	2.205	1.043	0.591	0.669
C6440 08-06	1/2	3/8	0.280	0.866	0.768	0.472	2.205	1.043	0.591	0.748
C6440 08-08	1/2	1/2	0.315	0.945	0.768	0.610	2.323	1.043	0.591	0.866





NPTF/INCH

1

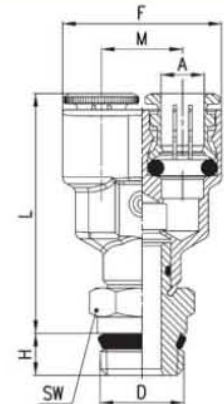
FITTINGS & ACCESSORIES

Fittings Mod. P6450...

**Pro-Fit®** Male "Y" Swivel

DIMENSIONS

Mod.	OD A	THREAD D	F	H	M	L	SW
P6450 02-02	1/8	1/8	.826	.200	.393	1.278	.472
P6450 53-02	5/32	1/8	.826	.200	.393	1.278	.472
P6450 04-02	1/4	1/8	.964	.200	.492	1.397	.472
P6450 04-04	1/4	1/4	1.043	.256	.492	1.456	.551



Fittings Mod. 6451 and Mod. 6450

Male "Y" Swivel

DIMENSIONS

Mod.	OD A	THREAD D	F	H	M	L	SW
*6451 02-32	1/8	10-32	.827	.177	.354	1.063	.315
NPTF							
6450 02-02	1/8	1/8	.827	.315	.354	1.535	.472
6450 53-02	5/32	1/8	.827	.315	.354	1.535	.472
6450 04-02	1/4	1/8	.965	.315	.492	1.673	.472

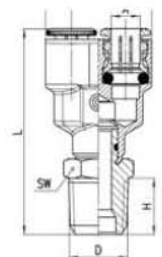
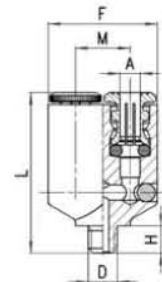
\* No swivel male



6451



6450

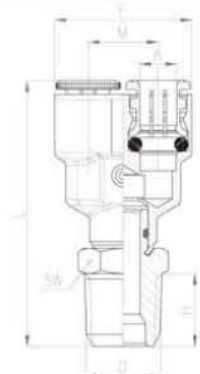


Fittings Mod. C6450

Male "Y" Swivel with Coated Threads

DIMENSIONS

Mod.	OD A	THREAD D	F	H	M	L	SW
C6450 02-02	1/8	1/8	0.827	0.315	0.354	1.535	0.472
C6450 53-02	5/32	1/8	0.827	0.315	0.354	1.535	0.472
C6450 04-02	1/4	1/8	0.965	0.315	0.492	1.673	0.472

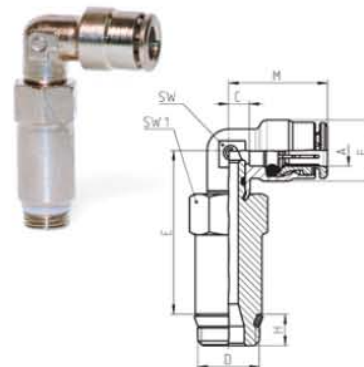


Fittings Mod. P6525...

**Pro-Fit®** Extended Elbow Swivel

DIMENSIONS

Mod.	OD A	NPTF THREAD D	C	E	F	H	M	SW	SW1
P6525 04-02	1/4	1/8	0.157	1.331	0.500	0.197	0.787	0.354	0.472
P6525 04-04	1/4	1/4	0.157	1.339	0.500	0.256	0.787	0.354	0.551
P6525 06-02	3/8	1/8	0.256	1.370	0.650	0.197	1.043	0.512	0.551
P6525 06-04	3/8	1/4	0.256	1.378	0.650	0.256	1.043	0.512	0.551

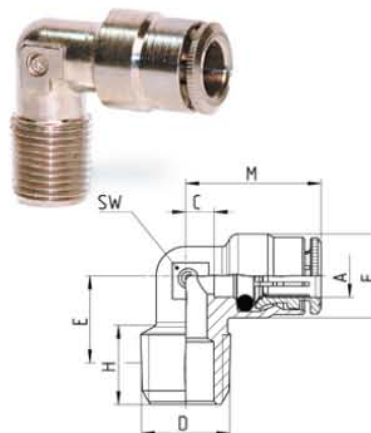


Fittings Mod. 6500...

Male Elbow Non-Swivel

DIMENSIONS

Mod.	OD A	NPTF THREAD D	C	E	F	H	M	SW
6500 04-02	1/4	1/8	0.157	0.571	0.500	0.472	0.787	0.354
6500 04-04	1/4	1/4	0.157	0.472	0.500	0.472	0.787	0.354
6500 06-04	3/8	1/4	0.236	0.551	0.650	0.472	1.024	0.512
6500 06-06	3/8	3/8	0.236	0.512	0.650	0.472	1.024	0.512

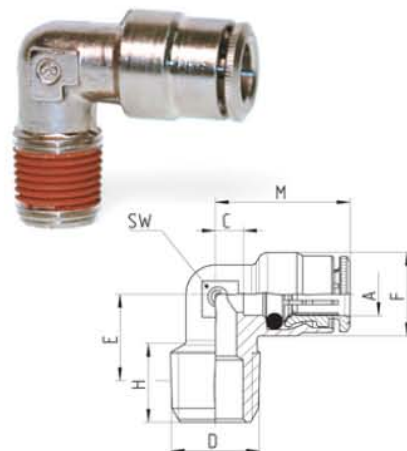


Fittings Mod. C6500...

Male Elbow with Coated Threads Non-Swivel

DIMENSIONS

Mod.	OD A	NPTF THREAD D	C	E	F	H	M	SW
C6500 04-02	1/4	1/8	0.157	0.571	0.500	0.472	0.787	0.354
C6500 04-04	1/4	1/4	0.157	0.472	0.500	0.472	0.787	0.354
C6500 06-04	3/8	1/4	0.236	0.551	0.650	0.472	1.024	0.512
C6500 06-06	3/8	3/8	0.236	0.512	0.650	0.472	1.024	0.512





NPTF/INCH

1

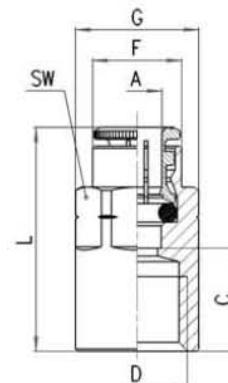
FITTINGS & ACCESSORIES

**Fittings Mod. 6463...**

**Female Connector**

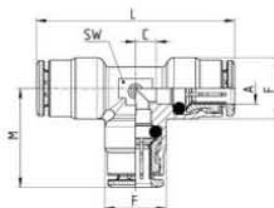
**DIMENSIONS**

Mod.	OD A	NPTF		C	F	G	L	SW
		THREAD D						
6463 02-02	1/8	1/8	0.394	0.354	0.512	0.945	0.472	
6463 02-04	1/8	1/4	0.551	0.354	0.650	1.102	0.591	
6463 53-02	5/32	1/8	0.394	0.354	0.512	0.945	0.472	
6463 53-04	5/32	1/4	0.551	0.354	0.650	1.102	0.591	
6463 04-02	1/4	1/8	0.386	0.461	0.512	1.024	0.472	
6463 04-04	1/4	1/4	0.543	0.469	0.650	1.181	0.591	
6463 06-04	3/8	1/4	0.512	0.606	0.728	1.299	0.669	
6463 06-06	3/8	3/8	0.551	0.606	0.787	1.339	0.669	



**Fittings Mod. 6540...**

**Union Tee**

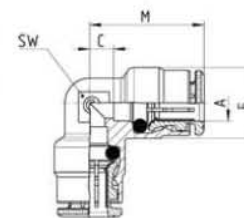


**DIMENSIONS**

Mod.	OD A	C	F	L	M	SW
6540 02-00	1/8	0.138	0.354	1.378	0.689	0.315
6540 53-00	5/32	0.138	0.354	1.378	0.689	0.315
6540 04-00	1/4	0.157	0.500	1.575	0.787	0.354
6540 05-00	5/16	0.197	0.559	1.772	0.886	0.433
6540 06-00	3/8	0.236	0.650	2.087	1.024	0.512
6540 08-00	1/2	0.280	0.768	2.087	1.043	0.591

**Fittings Mod. 6550...**

**Union Elbow**

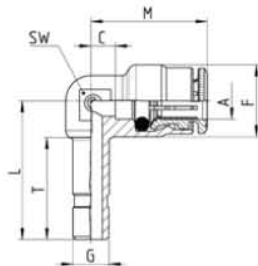


**DIMENSIONS**

Mod.	OD A	C	F	M	SW
6550 02-00	1/8	0.138	0.354	0.689	0.315
6550 53-00	5/32	0.138	0.354	0.689	0.315
6550 04-00	1/4	0.157	0.500	0.787	0.354
6550 05-00	5/16	0.197	0.559	0.886	0.433
6550 06-00	3/8	0.236	0.650	1.024	0.512
6550 08-00	1/2	0.280	0.768	1.043	0.591

Fittings Mod. 6555...

Plug-In Elbow

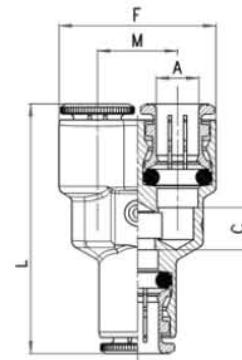


DIMENSIONS

Mod.	OD A	OD G	C	L	F	T	M	SW
6555 53-53	5/32	5/32	0.138	0.866	0.354	0.650	0.689	0.315
6555 04-04	1/4	1/4	0.157	0.965	0.500	0.709	0.787	0.354
6555 06-06	3/8	3/8	0.236	1.260	0.650	0.906	1.024	0.512

Fittings Mod. 6560...

Union "Y"



DIMENSIONS

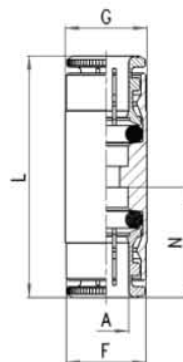
Mod.	A	C	F	L	M
6560 02-00	1/8	.236	.826	1.417	.393
6560 53-00	5/32	.236	.826	1.338	.393
6560 04-00	1/4	.236	.964	1.515	.492

Fittings Mod. 6580...

Union

DIMENSIONS

Mod.	OD A	F	G	L	N
6580 02-00	1/8	0.331	0.354	1.142	0.551
6580 53-00	5/32	0.331	0.354	1.142	0.551
6580 04-00	1/4	0.461	0.472	1.319	0.638
6580 05-00	5/16	0.539	0.551	1.457	0.689
6580 06-00	3/8	0.606	0.669	1.614	0.787
6580 08-00	1/2	0.720	0.748	1.555	0.756

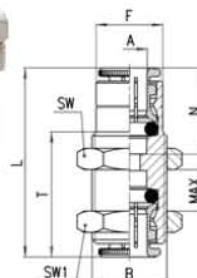


Fittings Mod. 6590...

Bulkhead Union

DIMENSIONS

Mod.	OD A	B	F	L	N	MAX	SW	SW1	T
6590 02-00	1/8	M10X1	0.346	1.142	0.551	0.453	0.551	0.551	0.866
6590 53-00	5/32	M10X1	0.346	1.142	0.551	0.413	0.551	0.551	0.866
6590 04-00	1/4	M14X1	0.492	1.319	0.638	0.453	0.669	0.669	0.925
6590 05-00	5/16	M16X1	0.571	1.417	0.689	0.453	0.748	0.748	0.925
6590 06-00	3/8	M18X1	0.622	1.614	0.787	0.512	0.866	0.866	1.024
6590 08-00	1/2	M20X1	0.740	1.555	0.756	0.571	0.945	0.945	1.083





NPTF/INCH

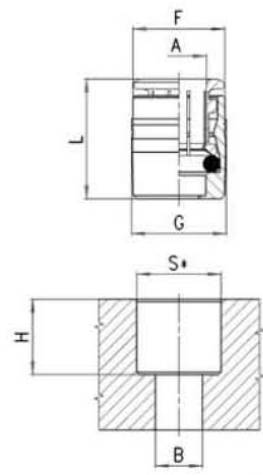
1

FITTINGS & ACCESSORIES

**Fittings Mod. 6700...**

**Cartridge**

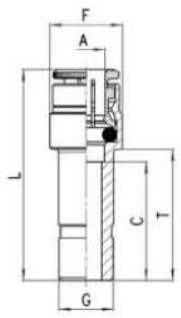
DIMENSIONS							
Mod.	OD A	F	G	L	S	H	B
6700 02-00	1/8	0.339	0.346	0.571	0.343	0.433	0.138
6700 53-00	5/32	0.339	0.346	0.571	0.343	0.433	0.138
6700 04-00	1/4	0.465	0.472	0.669	0.469	0.472	0.157
6700 05-00	5/16	0.543	0.551	0.709	0.551	0.551	0.236
6700 06-00	3/8	0.622	0.630	0.807	0.626	0.650	0.315
6700 08-00	1/2	0.740	0.748	0.776	0.748	0.669	0.413



- \* Hole tolerances: +0.002-0.000 [in.]
- \* For plastic [non-metal] manifolds, reduce all hole dimensions "S" by 0.02 mm [0.001 in.]
- \* **INSTALLATION:** Drill or bore hole per specifications per size of cartridge (dimensions H and S).
- \* Smooth or ream hole dimensions to hole tolerances.
- \* Simply press fit cartridge into hole with an evenly distributed force over the top surface.
- \* Removal of the collet ring is not necessary.
- \* Cartridge fittings are useful for installations in various manifolds and/or distribution blocks when drilling and tapping are not desirable.

**Fittings Mod. 6800...**

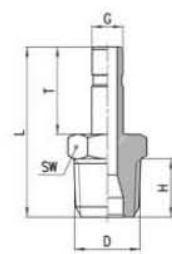
**Reducer**



DIMENSIONS						
Mod.	OD A	G	C	F	L	T
6800 02-04	1/8	1/4	0.610	0.354	1.161	0.709
6800 53-04	5/32	1/4	0.610	0.354	1.161	0.709
6800 04-06	1/4	3/8	0.819	0.500	1.457	0.906
6800 04-08	1/4	1/2	0.681	0.504	1.319	0.945
6800 06-08	3/8	1/2	0.787	0.650	1.575	0.945

**Fittings Mod. 6810...**

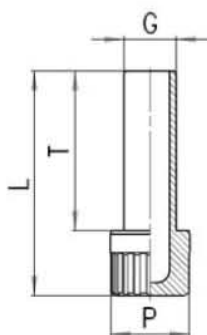
**Stem Adapter**



DIMENSIONS						
Mod.	OD G	NPTF THREAD D	H	T	L	SW
6810 02-02	1/8	1/8	.315	.649	1.141	.472
6810 02-04	1/8	1/4	.472	.649	1.319	.551
6810 53-02	5/32	1/8	.315	.649	1.141	.472
6810 53-04	5/32	1/4	.472	.649	1.319	.551
6810 04-02	1/4	1/8	.315	.708	1.200	.472
6810 04-04	1/4	1/4	.472	.708	1.378	.551
6810 05-02	5/16	1/8	.315	.807	1.299	.472
6810 05-04	5/16	1/4	.472	.807	1.476	.551
6810 06-04	3/8	1/4	.472	.905	1.575	.551
6810 06-06	3/8	3/8	.472	.905	1.575	.748
6810 08-06	1/2	3/8	.472	.944	1.614	.748
6810 08-08	1/2	3/8	.610	.944	1.772	.866

Fittings Mod. 6900...

Plug (Nylon®)



DIMENSIONS

Mod.	G	L	P	T
6900 02-00	1/8	1.063	.236	.787
6900 53-00	5/32	1.141	.315	.787
6900 04-00	1/4	1.240	.315	.885
6900 05-00	5/16	1.358	.472	.964
6900 06-00	3/8	1.456	.472	1.063
6900 08-00	1/2	1.594	.630	1.122

Fittings Mod. 6950...

Double Union

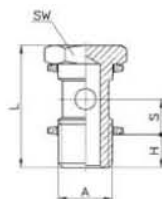


DIMENSIONS

Mod.	A	C
6950 02-00	1/8	1.279
6950 53-00	5/32	1.279
6950 04-00	1/4	1.397
6950 05-00	5/16	1.594
6950 06-00	3/8	1.811
6950 08-00	1/2	1.889

Fittings Mod. 1631-01...

Stud Manifold



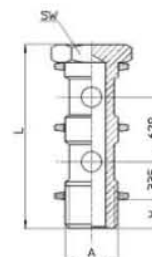
DIMENSIONS

Mod.	OD				
	A	H	L	S	SW
	UNF				
1631 01-32	10-32	.157	.708	.177	.315
	NPTF*				
1631 01-02	1/8	.236	1.063	.335	.551
1631 01-04	1/4	.354	1.161	.335	.669
1631 01-06	3/8	.354	1.181	.335	.748

\*NPTF 2520 Adapters included

Fittings Mod. 1631-02...

Stud Manifold



DIMENSIONS

Mod.	OD			
	A	H	L	SW
	NPTF*			
1631 02-02	1/8	.236	1.692	.551
1631 02-04	1/4	.315	1.791	.669
1631 02-06	3/8	.354	1.811	.748

\*NPTF 2520 Adapters included



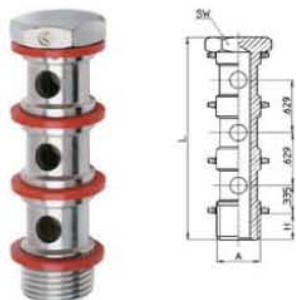
NPTF/INCH

1

FITTINGS & ACCESSORIES

Fittings Mod. 1631-03...

Stud Manifolds



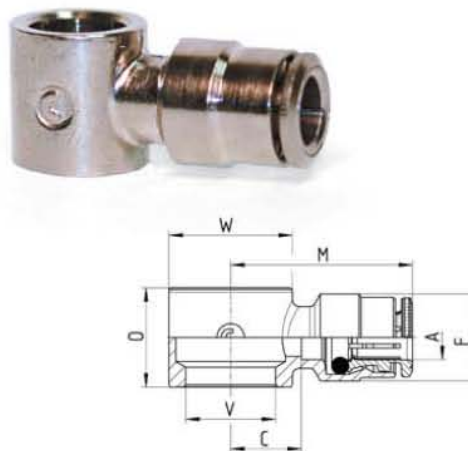
DIMENSIONS

Mod.	OD			
	A	H	L	SW
	NPTF*			
<b>1631 03-02</b>	1/8	.236	2.322	.551
<b>1631 03-04</b>	1/4	.315	2.421	.669
<b>1631 03-06</b>	3/8	.354	2.440	.748

\*NPTF 2520 Adapters included

Fittings Mod. 6610...

Banjo



DIMENSIONS

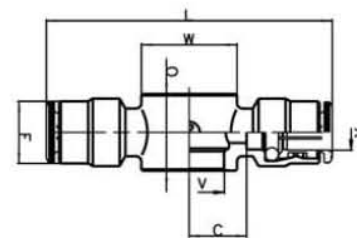
Mod.	OD							
	A	V	C	F	M	O	V	W
<b>6610 53-32</b>	5/32	10/32	0.197	0.346	0.748	0.354	0.197	0.346
<b>6610 02-02</b>	1/8	1/8	0.295	0.354	0.846	0.571	0.382	0.551
<b>6610 53-02</b>	5/32	1/8	0.335	0.394	0.886	0.571	0.382	0.551
<b>6610 04-02</b>	1/4	1/8	0.327	0.500	0.965	0.571	0.382	0.551
<b>6610 04-04</b>	1/4	1/4	0.406	0.500	1.043	0.571	0.516	0.709
<b>6610 06-04</b>	3/8	1/4	0.354	0.650	1.142	0.571	0.516	0.709
<b>6610 06-06</b>	3/8	3/8	0.413	0.650	1.201	0.571	0.657	0.827

Fittings Mod. 6620...

Double Banjo

DIMENSIONS

Mod.	OD							
	A	V	C	F	L	O	V	W
<b>6620 53-32</b>	5/32	10/32	0.197	0.346	1.496	0.354	0.197	0.346
<b>6620 04-02</b>	1/4	1/8	0.327	0.461	1.929	0.571	0.382	0.551
<b>6620 04-04</b>	1/4	1/4	0.406	0.461	2.087	0.571	0.516	0.709

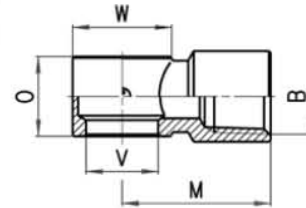


Fittings Mod. 2023...

Female Banjo

DIMENSIONS

Mod.	B	V	O	M	W
	<b>UNF</b>				
<b>2023 32-32</b>	10/32	10/32	.354	.413	.346
	<b>NPTF</b>				
<b>2023 02-02</b>	1/8	1/8	.571	.787	.551
<b>2023 04-04</b>	1/4	1/4	.571	1.004	.709
<b>2023 06-06</b>	3/8	3/8	.571	1.102	.827



Example assembly of stud manifold with various banjos



"Hybrid" Torque Specifications - ( Pro-Fit - NPTF Fittings assembled into female BSP parts)

**Caution:** Mating material and female ports may be too soft for high torque values. Check material hardness to avoid stripping, galling or cross-threading. This table is ONLY a guide for "hybrid" situations that require interchanging thread types to accommodate tubing requirements.

Thread Size	Minimum Torque Value		Maximum Torque Value	
	Nm	Ft-Lbs	Nm	Ft-Lbs
<b>1/8" *</b>	1.0	0.7	10.0	7.4
<b>1/4" *</b>	4.0	2.9	20.0	14.8
<b>3/8"</b>	27.0	3.7	24.0	14.8
<b>1/2"</b>	27.0	20.0	54.0	40.0

\* - NOTE: Value is the same as standard value for equal thread types, ( NPTF to NPTF)